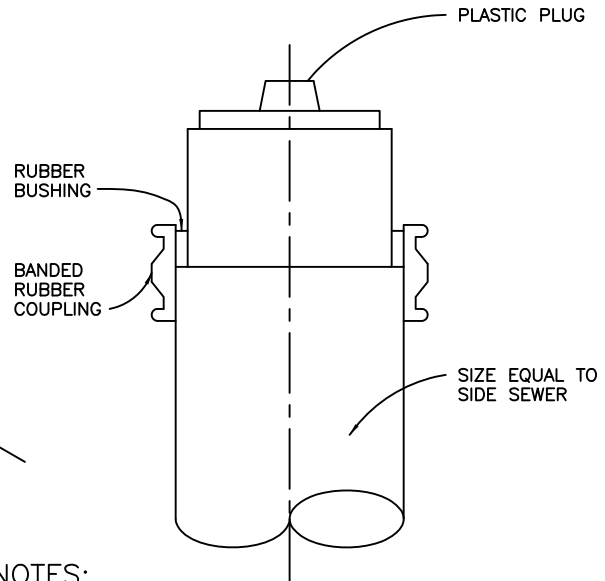
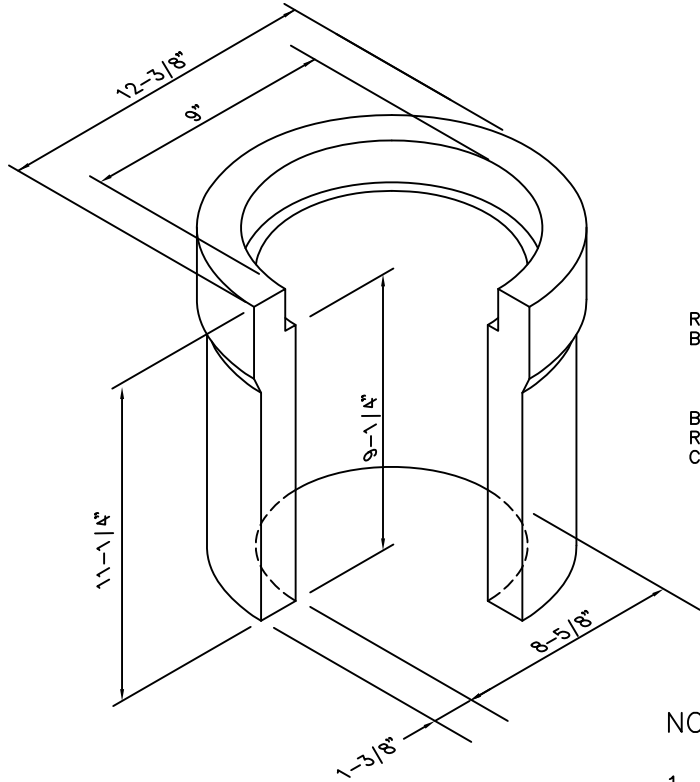


CLEANOUT RISER



NOTES:

1. IN STREETS OR PARKING LOTS, CLEAN-OUT BOX MUST BE A G-5 (CHRISTY) BOX WITH METAL LID MARKED "SEWER".

REV. 08/11

Dublin San Ramon Services District	DATE DEC 1968
SIDE SEWER CLEANOUT RISER	DESIGNED SRH
SIGNED COPY ON FILE AT DISTRICT OFFICE	DRAWING S-10