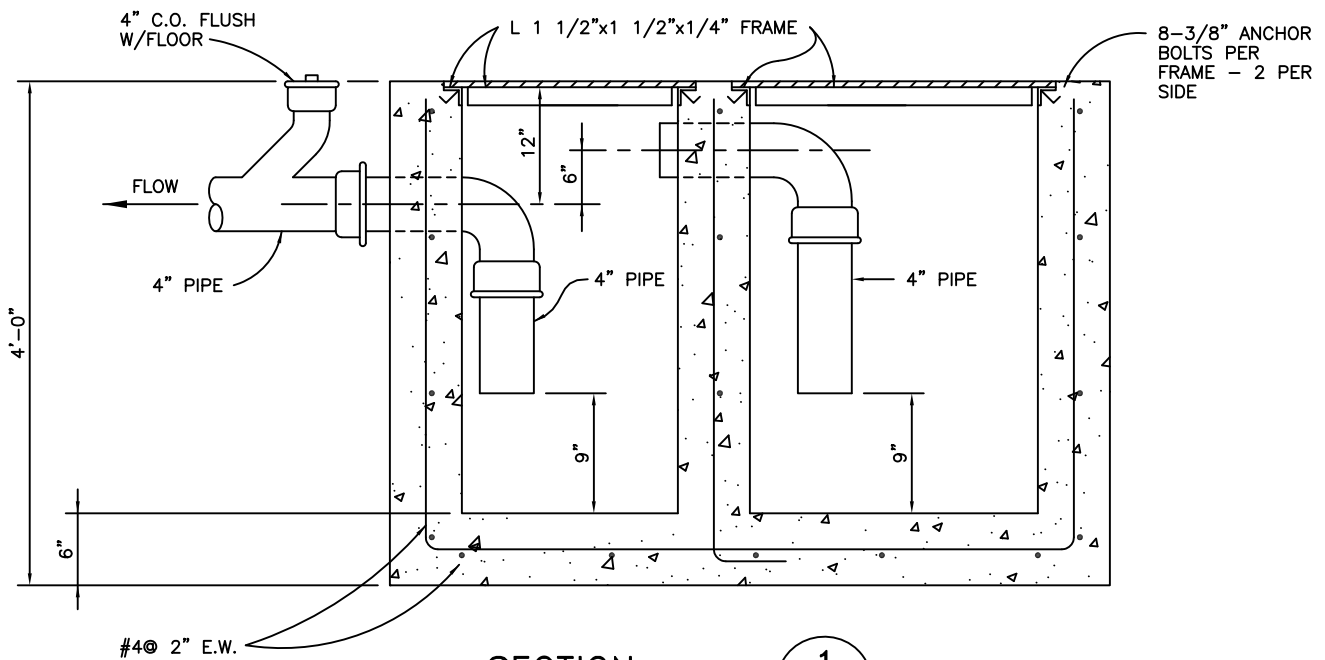


PLAN



SECTION

NTS

NOTES:

1. FLOOR SHALL DRAIN TO DRILLED PLATE COVER.
2. PIPES SHALL BE DIP, ABS OR VCP. (CAST IRON IS NOT ALLOWED.)
3. TWO 18" DRAIN INLETS MAY BE SUBSTITUTED FOR CAST IN PLACE TRAP.

REV. 07/04

Dublin San Ramon Services District

DATE
AUG 1966

GREASE AND SAND TRAP

DESIGNED
SRH

SIGNED COPY ON FILE AT DISTRICT OFFICE

DRAWING
S-12