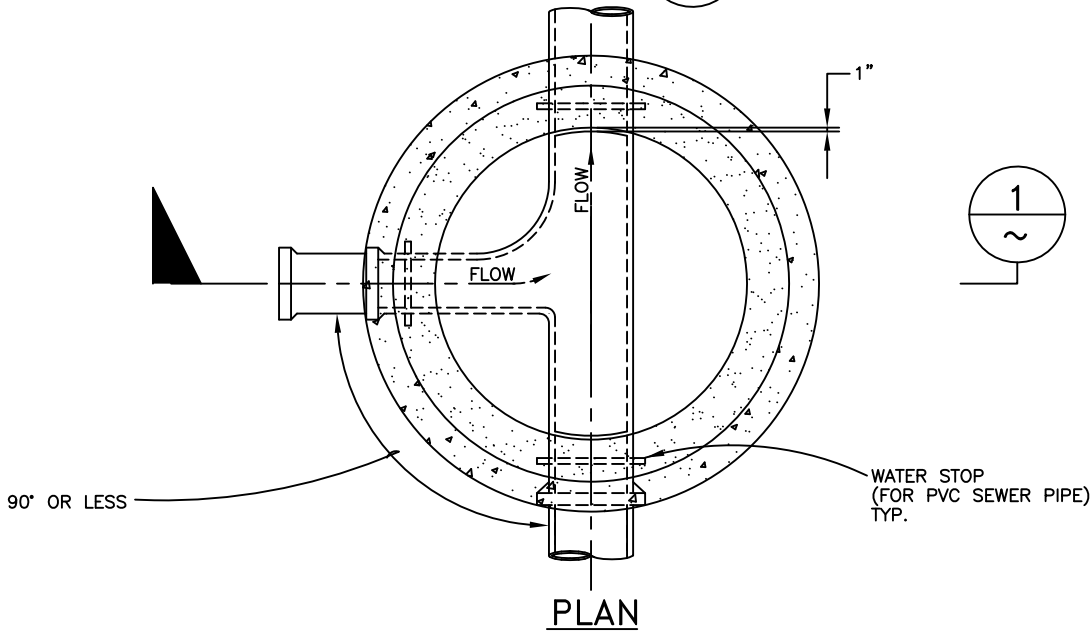


SECTION 1
NTS



NOTES:

1. SEE SPEC. SEC. III-A5-7 FOR CRITERIA ON MANHOLE SIZING. NTS
2. MANHOLE SHALL HAVE NO STEPS.
3. USE RAMNECK OR APPROVED EQUAL BETWEEN JOINTS. TRIM ALL JOINTS AFTER COMPLETION.
4. JOINTS SHALL BE WRAPPED WITH 9-INCH RUB'R-NEK EXTERNAL CONCRETE JOINT WRAP, OR APPROVED EQUAL.
5. ALL PIPES MUST HAVE A JOINT 2'-4' OUT FROM MANHOLE.
6. 5" WALL THICKNESS FOR MANHOLES UP TO 4-FT DIAMETER AND 6" WALL THICKNESS FOR 5-FT DIAMETER MANHOLES.

REV. 06/23/14

Dublin San Ramon Services District

DATE
MAY 1987

STANDARD MANHOLE

DESIGNED
SRH

SIGNED COPY ON FILE AT DISTRICT OFFICE

DRAWING
S-2