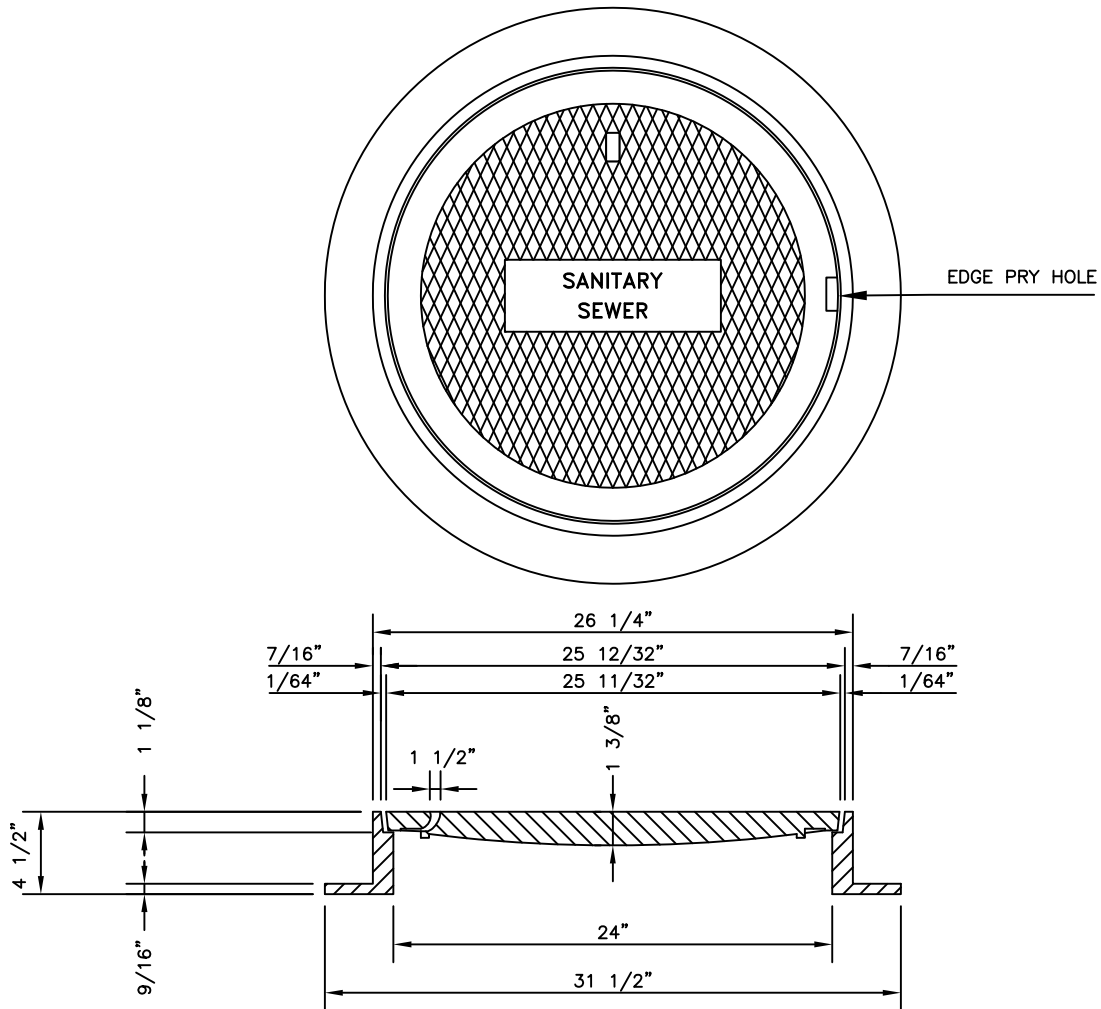


STANDARD 24" HEAVY DUTY NON-ROCKING MANHOLE FRAME AND COVER

FRAME AND COVER



NOTES:

1. SPECIFY SANITARY SEWER WHEN ORDERING CASTINGS DIPPED IN ASPHALT PAINT.
2. WHERE THE DISTRICT ENGINEER DEEMS NECESSARY FOR HEIGHTENED PROTECTION OF THE PUBLIC OR ITS FACILITIES, PARMEX MANHOLE FRAME AND COVER, OR APPROVED EQUAL MAY BE REQUIRED.
3. FRAME AND COVER SHALL BE PHOENIX IRON WORKS "P1090", CLAY BAILEY "NO.2008BV", NEENAH "R-1736S" OR APPROVED EQUAL.

REV. 01/16

Dublin San Ramon Services District	REVISION DATE JAN 2016
STANDARD MANHOLE FRAME AND COVER	REVISED BY BCD
SIGNED COPY ON FILE AT DISTRICT OFFICE	DRAWING S-5