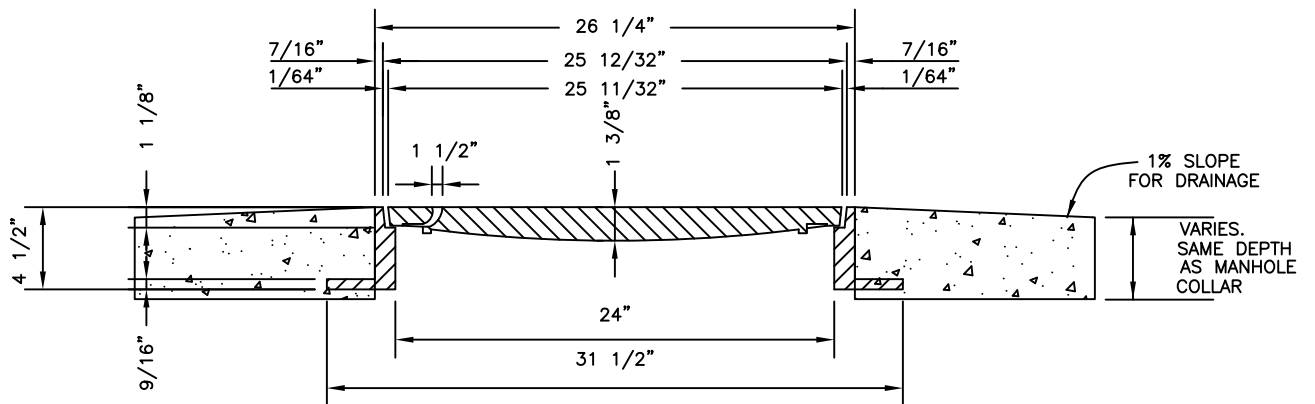
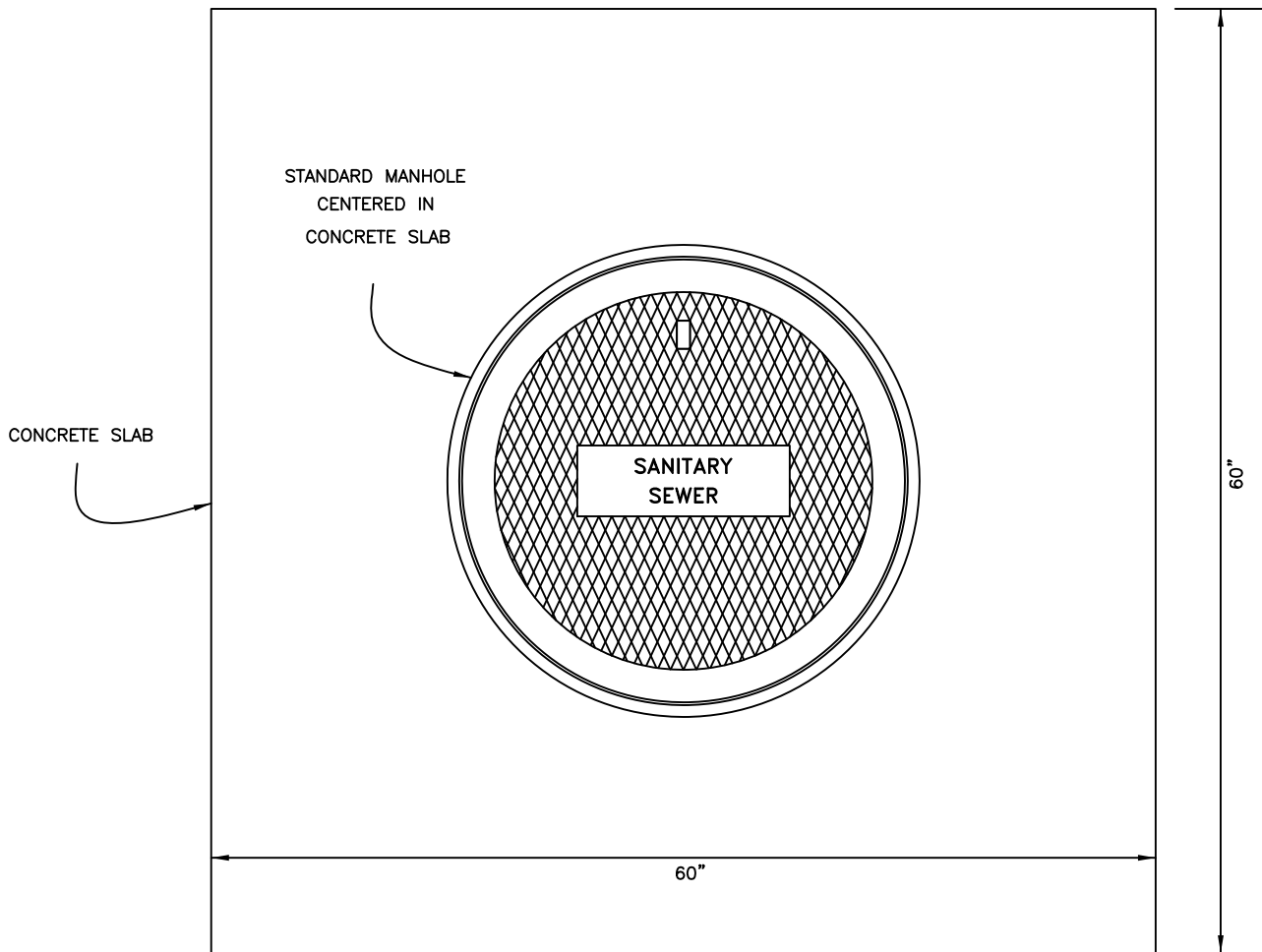


UNDEVELOPED AND LANDSCAPED AREAS



REV. 08/11

Dublin San Ramon Services District

DATE
MAY 1987

MANHOLE PAD DETAIL

DESIGNED
DJM

SIGNED COPY ON FILE AT DISTRICT OFFICE

DRAWING
S-6A