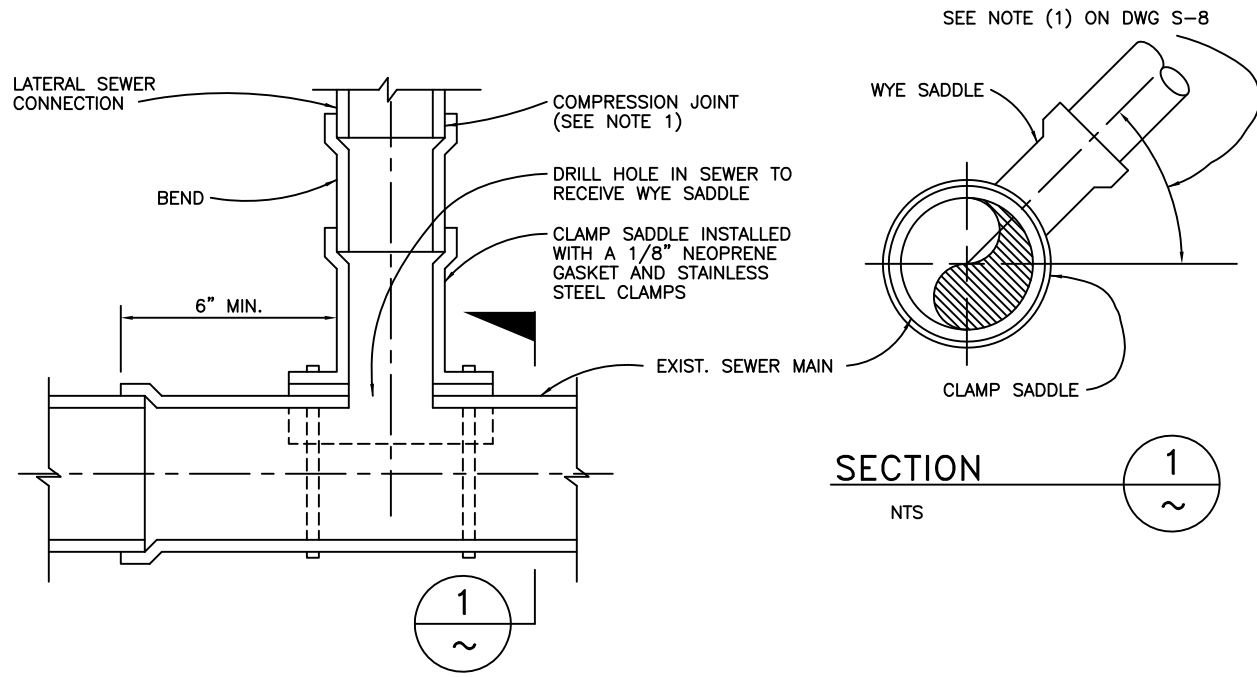


DRY CONNECTION



WET TAP CONNECTION

(NOTE 3)

NOTES:

1. COMPRESSION JOINTS FOR VCP SHALL MEET ASTM C-425 SPECS.
2. MANUFACTURED WYE SADDLE INSTALLED ON SEWER SECTION WITH PLAIN ENDS.
3. APPROVAL OF DISTRICT ENGINEER REQUIRED.

REV. 07/04

Dublin San Ramon Services District	DATE MAY 1987
LATERAL SEWER CONNECTION TO EXISTING SEWER MAIN	DESIGNED DJM
SIGNED COPY ON FILE AT DISTRICT OFFICE	DRAWING S-9