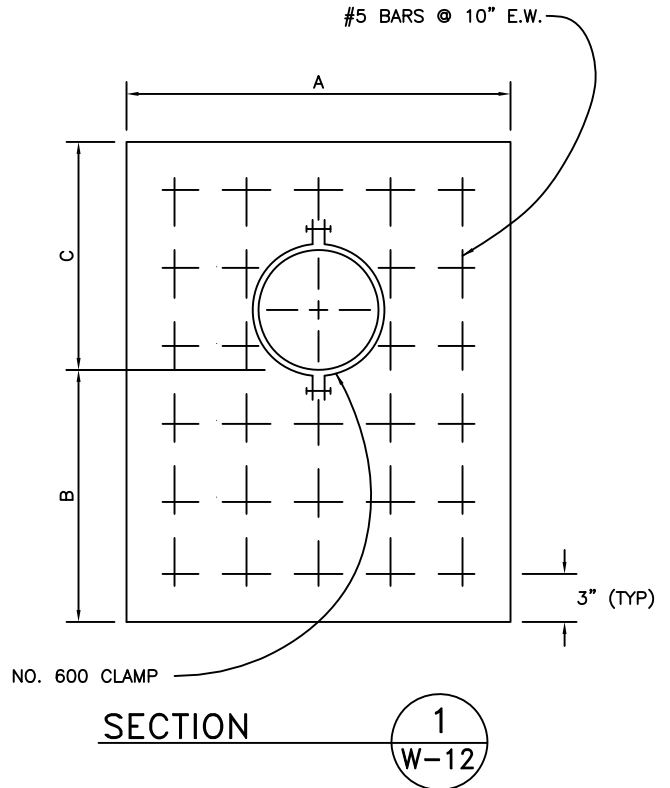


THRUST BLOCK DIMENSIONS FOR
20000 psf ALLOWABLE SOIL BEARING

PIPE SIZE	A (SEE NOTE 1)	B	C	D
6"	18"	12"	12"	8"
8"	24"	16"	14"	8"
10"	30"	21"	18"	10"
12"	36"	24"	20"	12"

ACTUAL SOIL BEARING VALUE	MULTIPLIER
1000 psf	2.0
1500 psf	1.33
2000 psf	1.0
2500 psf	0.8
3000 psf	0.67

EXAMPLE:
ACTUAL SOIL BEARING VALUE = 1000 psf
FOR 8" MAIN
REQUIRED "B" IS 2.0 x 16" = 32"



NOTES:

1. DIMENSION "A" SHALL NOT BE LESS THAN TRENCH WIDTH.
2. FOR LARGER THAN 12" MAIN, CONSULT DISTRICT ENGINEER.

REV. 08/01

Dublin San Ramon Services District	DATE MAY 1987
TEMPORARY BLOW-OFF THRUST BLOCK DETAIL	DESIGNED RMR
SIGNED COPY ON FILE AT DISTRICT OFFICE	DRAWING W-12A