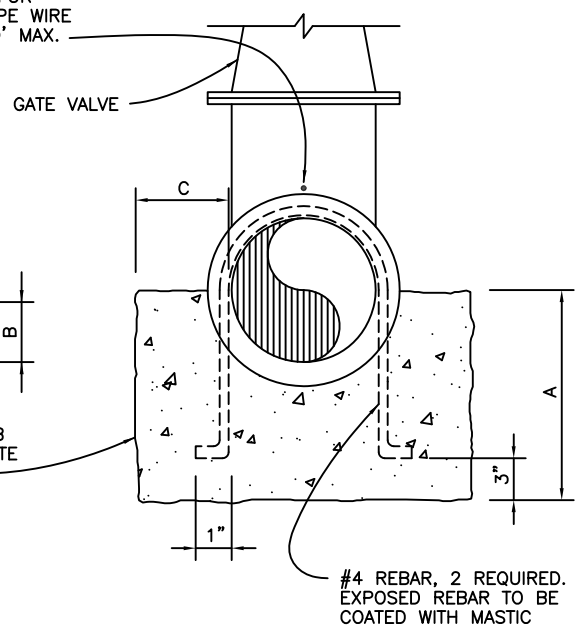


CONCRETE PAD DIMENSIONS			
VALVE SIZE	A	B	C
6"	9"	3"	6"
8"	12"	4"	8"
10"	16"	6"	10"



NOTES:

1. CONCRETE PAD SHALL BE POURED UNDER ALL GATE VALVES.
2. COAT ALL BONNET BOLTS, GLAND, GLAND BOLTS AND STEM WITH BITUMINOUS PAINT, SEE SPECS.
3. ON MAINS WHERE VALVES ARE TO BE INSTALLED ADJACENT TO TEES OR CROSSES, THE VALVES SHALL BE FLG x MJ WITH FLANGED END BOLTED DIRECTLY TO THE TEE OR CROSS.
4. IN-LINE VALVES MAY BE FLG x FLG WITH ADAPTERS OR MJ x MJ ENDS.
5. CENTERING BLOCK (7.5" DIA 1 LB POWDER COATED) .
6. ALL BOLTS SHALL BE STAINLESS STEEL TYPE 304, OR APPROVED EQUAL. ANTI-SEIZE LUBRICANT SHALL BE APPLIED TO BOLT THREADS.

Dublin San Ramon Services District

REVISION DATE
DEC 2011

GATE VALVE INSTALLATION
10" GATE VALVE AND SMALLER

REVISED BY
BCD

SIGNED COPY ON FILE AT DISTRICT OFFICE

DRAWING
W-13