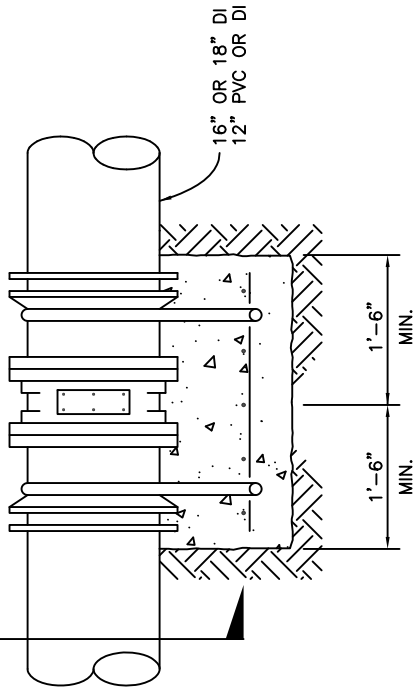
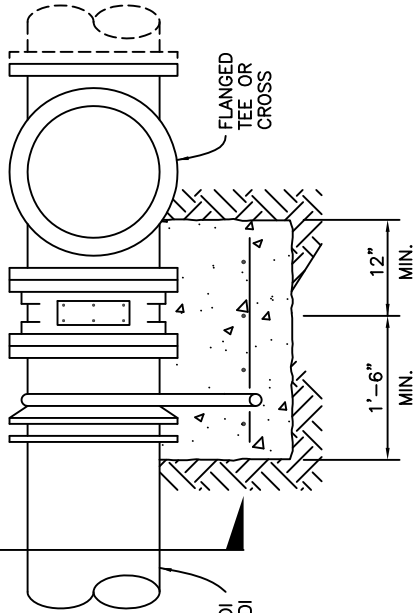


1  
W-14

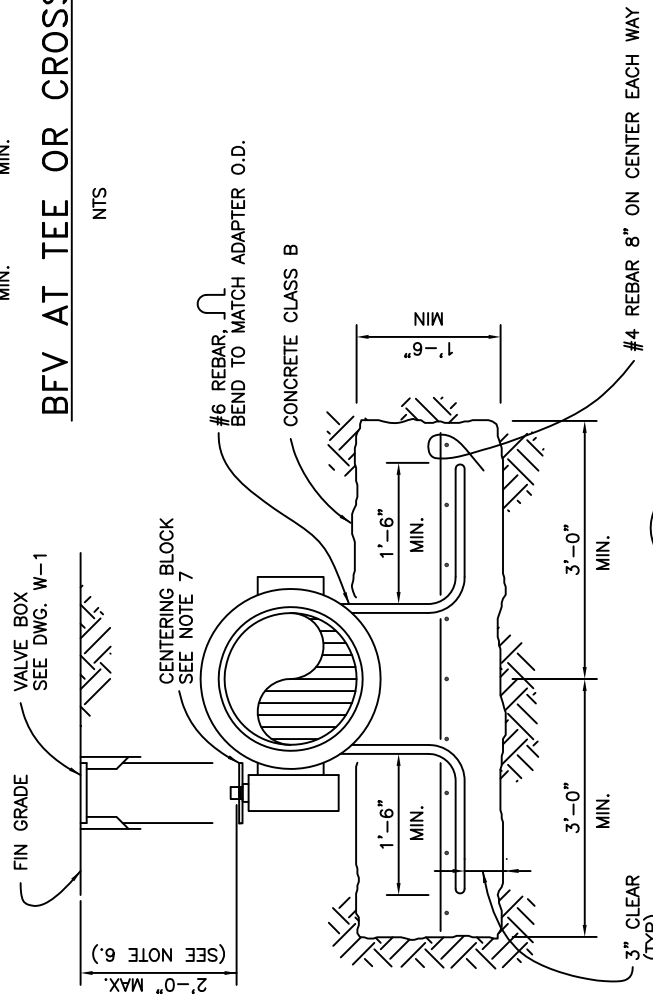


**IN-LINE BFV**  
NTS

1  
W-14



**BFV AT TEE OR CROSS**  
NTS



1  
W-14

**SECTION**  
NTS

- NOTE:
1. ALL REBAR TO HAVE 3 INCH MINIMUM CONCRETE COVER.
  2. CONCRETE TO BE PLACED AGAINST UNDISTURBED SOIL OR COMPACTED DRAINROCK.
  3. # 6 REBAR TO BE EXPOSED ABOVE CONCRETE IS TO BE WRAPPED IN SCOTCHWRAP # 50 MOULDING TAPE AND COATED WITH BITUMASTIC BEFORE INSTALLATION.
  4. ON MAINS WHERE VALVES ARE TO BE INSTALLED ADJACENT TO TEES OR CROSSES, THE VALVES SHALL BE FLG x MJ WITH FLANGED END BOLTED DIRECTLY TO THE TEE OR CROSS.
  5. IN-LINE VALVES MAY BE FLG x FLG WITH ADAPTERS OR MJ x MJ ENDS.
  6. ADD EXTENSION SLEEVE WHEN DEPTH EXCEEDS 2'0".
  7. CENTERING BLOCK (7.5" DIA 1 LB POWDER COATED).
  8. ALL BOLTS SHALL BE STAINLESS STEEL TYPE 304, OR APPROVED EQUAL. ANTI-SEIZE LUBRICANT SHALL BE APPLIED TO BOLT THREADS.

Dublin San Ramon Services District

BUTTERFLY VALVE INSTALLATION  
12" TO 18" BFV

SIGNED COPY ON FILE AT DISTRICT OFFICE

REVISION DATE  
DEC 2011

REVISED BY  
BCD

DRAWING  
W-14