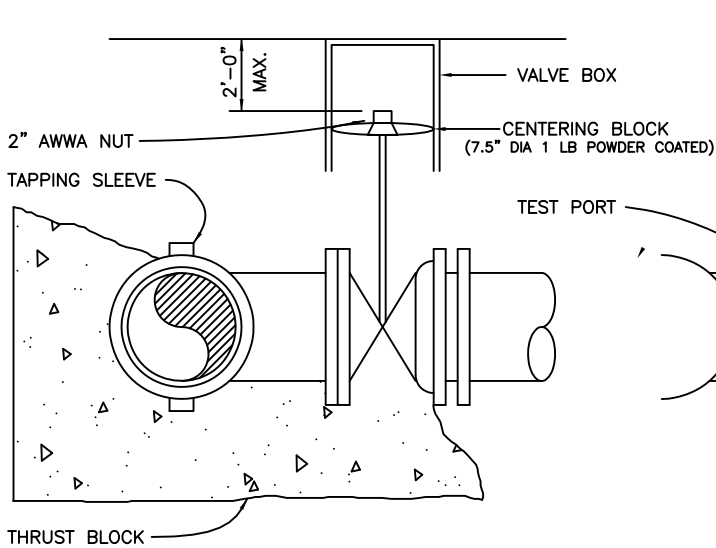


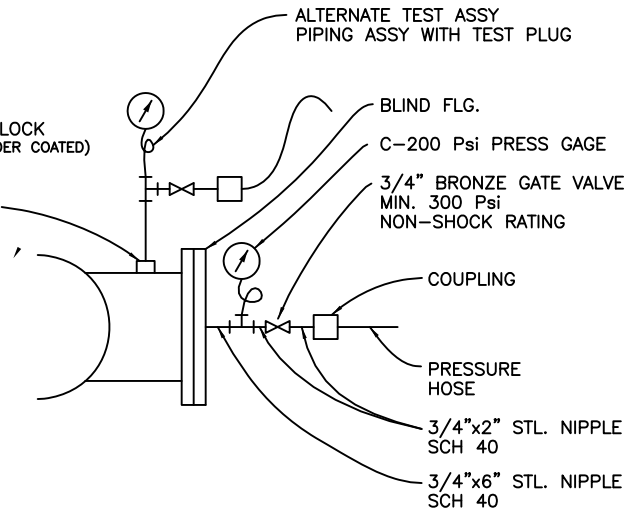
PLAN

NOTE:

1. TAPPING SLEEVES AND TAPPING VALVES SHALL CONFORM TO SECTION II-B1-2.02.
2. ALL BOLTS SHALL BE STAINLESS STEEL TYPE 304, OR APPROVED EQUAL. ANTI-SEIZE LUBRICANT SHALL BE APPLIED TO BOLT THREADS.



ELEVATION



TAPPING SLEEVE
PRESSURE AND LEAKAGE
TEST PIPING

Dublin San Ramon Services District	REVISION DATE MAR 2012
TAPPING SLEEVE AND TAPPING VALVE INSTALLATION	REVISED BY BCD
SIGNED COPY ON FILE AT DISTRICT OFFICE	DRAWING W-17