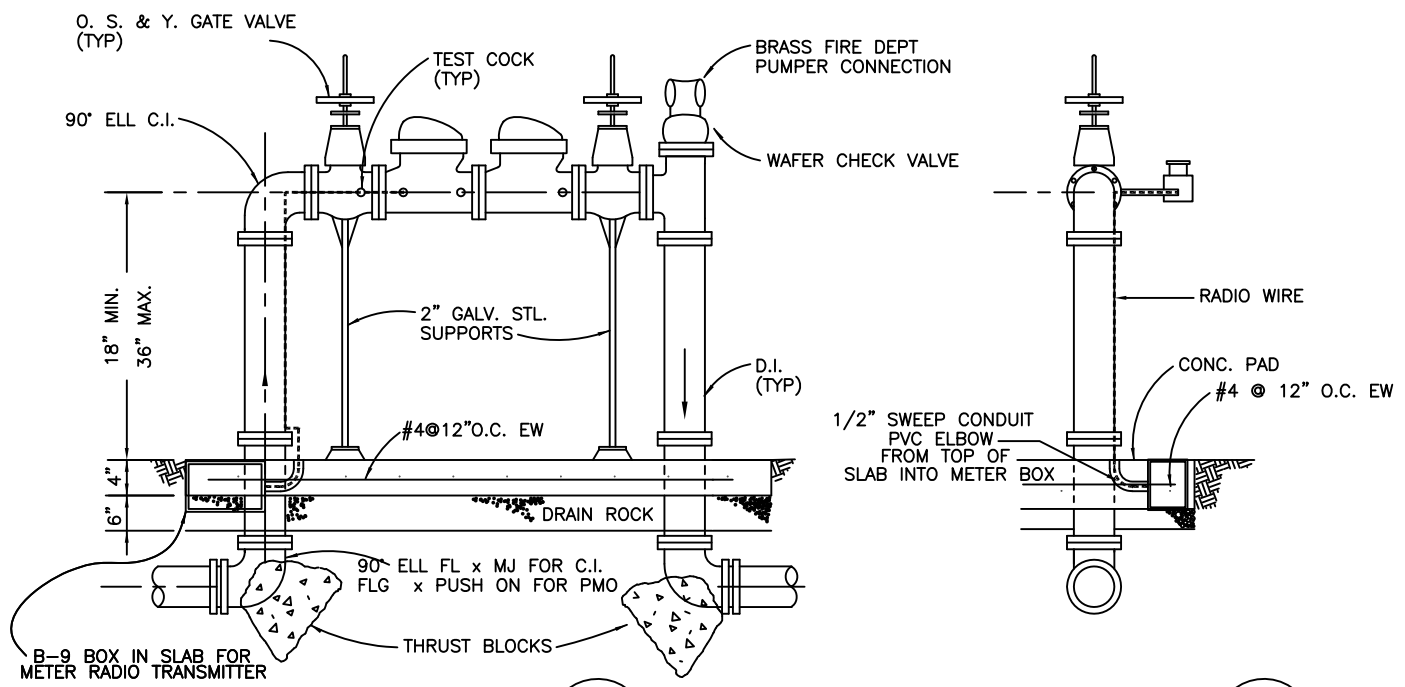


**PLAN**  
NTS



**SECTION 1**  
NTS

**SECTION 2**  
NTS

- NOTES:**
1. DOUBLE DETECTOR CHECK ASSEMBLY SHALL BE FACTORY ASSEMBLED COMPLETE. WITH METER AND DETECTOR CHECKS AND SHALL BE ON DISTRICT APPROVED LIST. THE DETECTOR METER SHALL BE SUPPLIED WITH A RADIO-READ NEPTUNE OR SENSUS METER. THE METER INTERFACE UNITS SHALL BE DATAMATIC FIREFLY METER INTERFACE UNITS FOR AMR SYSTEMS USING ENCODED REGISTERS WITH PROFILE PLUS LOAD PROFILING CAPABILITY.
  2. HOSE THREADS SHALL MATCH FIRE DEPT HOSE CONNECTORS.
  3. INSTALL AS REQUIRED.
  4. PUMPER CONNECTION MUST BE INSTALLED FACING STREET WITHOUT OBSTRUCTION.
  5. THIS ARRANGEMENT REQUIRES FIRE DEPT APPROVAL.
  6. RADIO WIRE TO BE FIRMLY AFFIXED TO PIPING WITH WIRE TIES.
  7. TRANSMITTER TO BE SPLICED TO INCOMING WIRES WITH WATER PROOF CONNECTORS.
  8. METER SHALL BE SET TO READ IN CUBIC FEET.
  9. DEVICE SHALL BE TESTED BY CERTIFIED TESTER. TEST REPORT SHALL BE SUBMITTED TO DSRSD.

Dublin San Ramon Services District	REVISION DATE MAR 2012
DOUBLE DETECTOR CHECK FOR 2" - 10" FIRE LINES ABOVE GROUND INSTALLATION (OPTIONAL)	REVISED BY BCD
SIGNED COPY ON FILE AT DISTRICT OFFICE	DRAWING W-23A