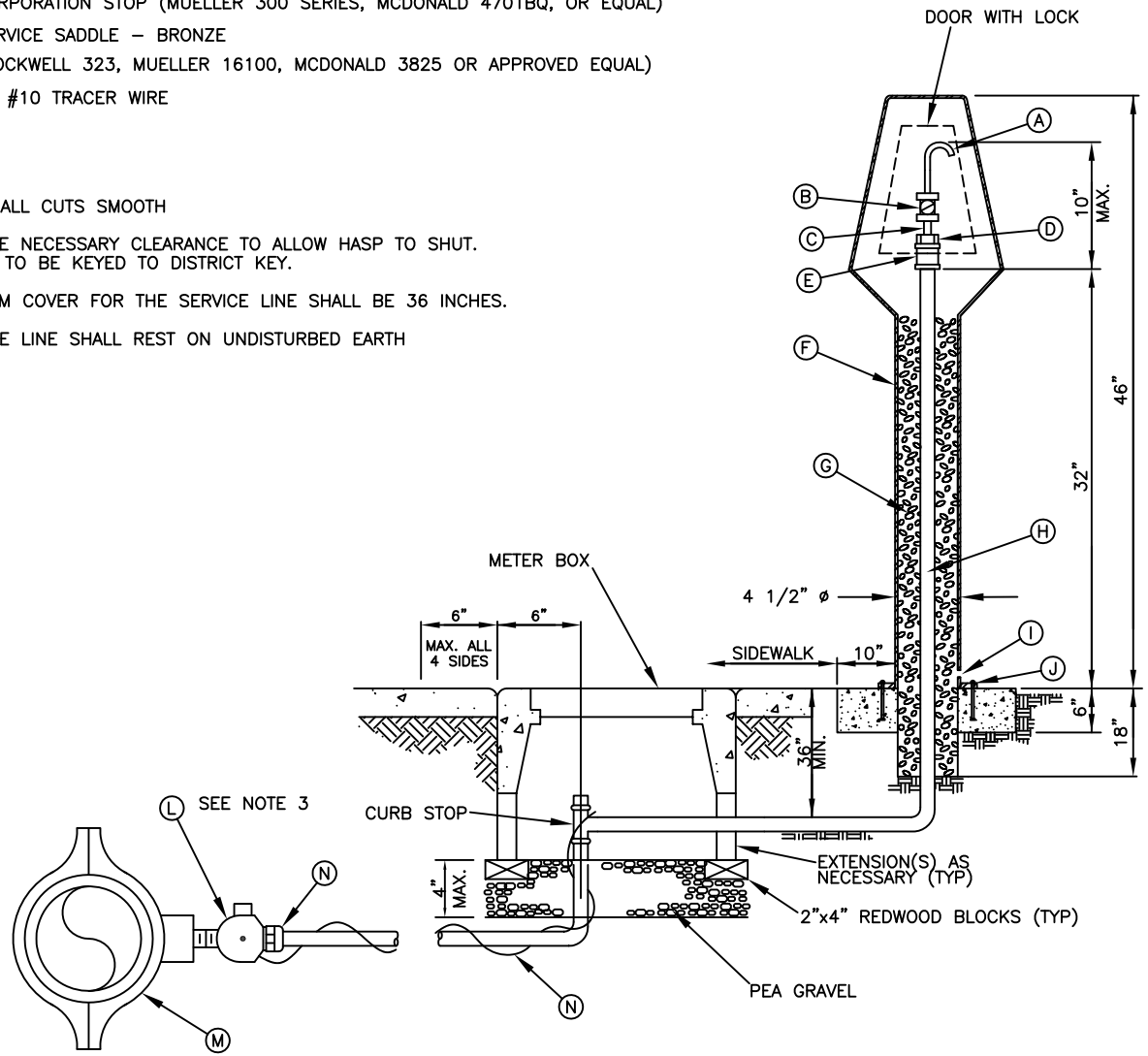


ITEM	DESCRIPTION
A	3/8" STAINLESS GOOSE NECK
B	1/2" x 3/8" BRASS OR STAINLESS VALVE
C	1/2" POLYETHYLENE TUBING
D	1" x 1/2" BRASS BUSHING
E	1" STRAIGHT BRASS COUPLING
F	POWDER COATED EPOXY STEEL HOUSING
G	PEA GRAVEL
H	1" POLYETHYLENE TUBING (BLUE)
I	1/2"Ø WEEP HOLE
J	ANCHOR BOLT
K	FLARE FITTING OR COMPRESSION JOINT
L	CORPORATION STOP (MUELLER 300 SERIES, MCDONALD 4701BQ, OR EQUAL)
M	SERVICE SADDLE – BRONZE (ROCKWELL 323, MUELLER 16100, MCDONALD 3825 OR APPROVED EQUAL)
N	TW #10 TRACER WIRE

NOTES:

1. GRIND ALL CUTS SMOOTH
2. PROVIDE NECESSARY CLEARANCE TO ALLOW HASP TO SHUT. LOCKS TO BE KEYPED TO DISTRICT KEY.
3. MINIMUM COVER FOR THE SERVICE LINE SHALL BE 36 INCHES.
4. SERVICE LINE SHALL REST ON UNDISTURBED EARTH



SERVICE WITH 90° TAP
W/ POLYETHYLENE

Dublin San Ramon Services District	REVISION DATE SEP 2011
STANDARD SAMPLING STATION	REVISED BY BCD
SIGNED COPY ON FILE AT DISTRICT OFFICE	DRAWING W-26