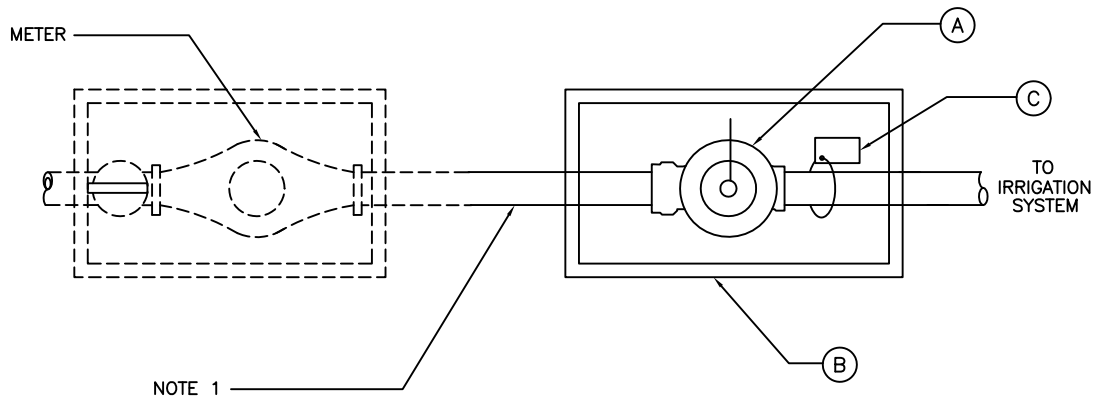


PRESSURE REDUCING VALVE



ITEM	DESCRIPTION
A	WILKINS MODEL 500HLR PRESSURE REDUCING VALVE OR EQUAL
B	CHRISTY PURPLE FL9 BOX
C	RECYCLED WATER WARNING TAG

NOTES:

1. NO LINE CONNECTIONS BETWEEN METER & PRV.
2. RW LABEL: T. CHRISTY 3150 OR EQUIVALENT.
3. PRV SIZE SHALL BE EQUAL TO METER SIZE.

REV. 1/06

Dublin San Ramon Services District

DATE  
JAN 2006

3/4" - 3" PRV INSTALLATION  
FOR RECYCLED WATER IRRIGATION SYSTEM

DESIGNED  
ATJ

SIGNED COPY ON FILE AT DISTRICT OFFICE

DRAWING  
W-31