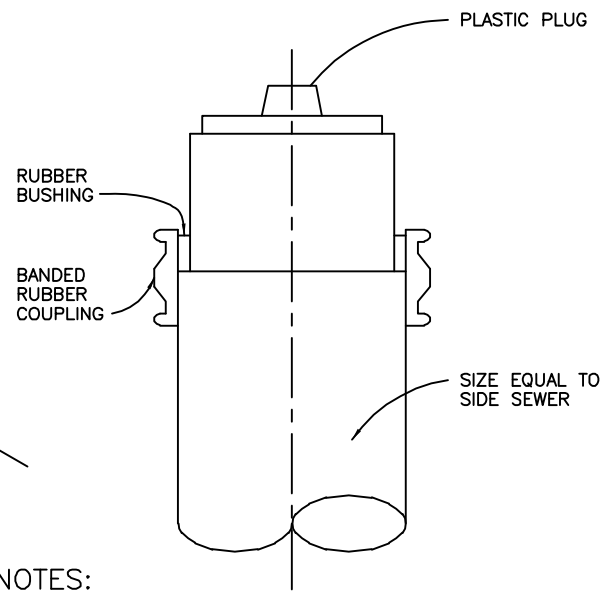
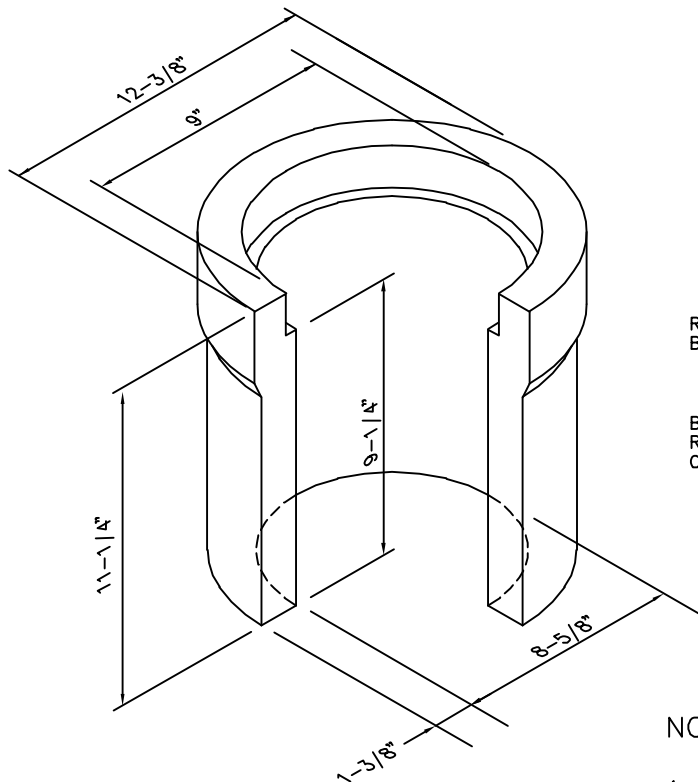


**CLEANOUT RISER**



- NOTES:
1. IN STREETS OR PARKING LOTS, CLEAN-OUT BOX MUST BE A G-5 (CHRISTY) BOX WITH METAL LID MARKED "SEWER".

REV. 08/11

Dublin San Ramon Services District	DATE DEC 2019
SIDE SEWER CLEANOUT RISER	DESIGNED KP
SIGNED COPY ON FILE AT DISTRICT OFFICE	DRAWING S-10