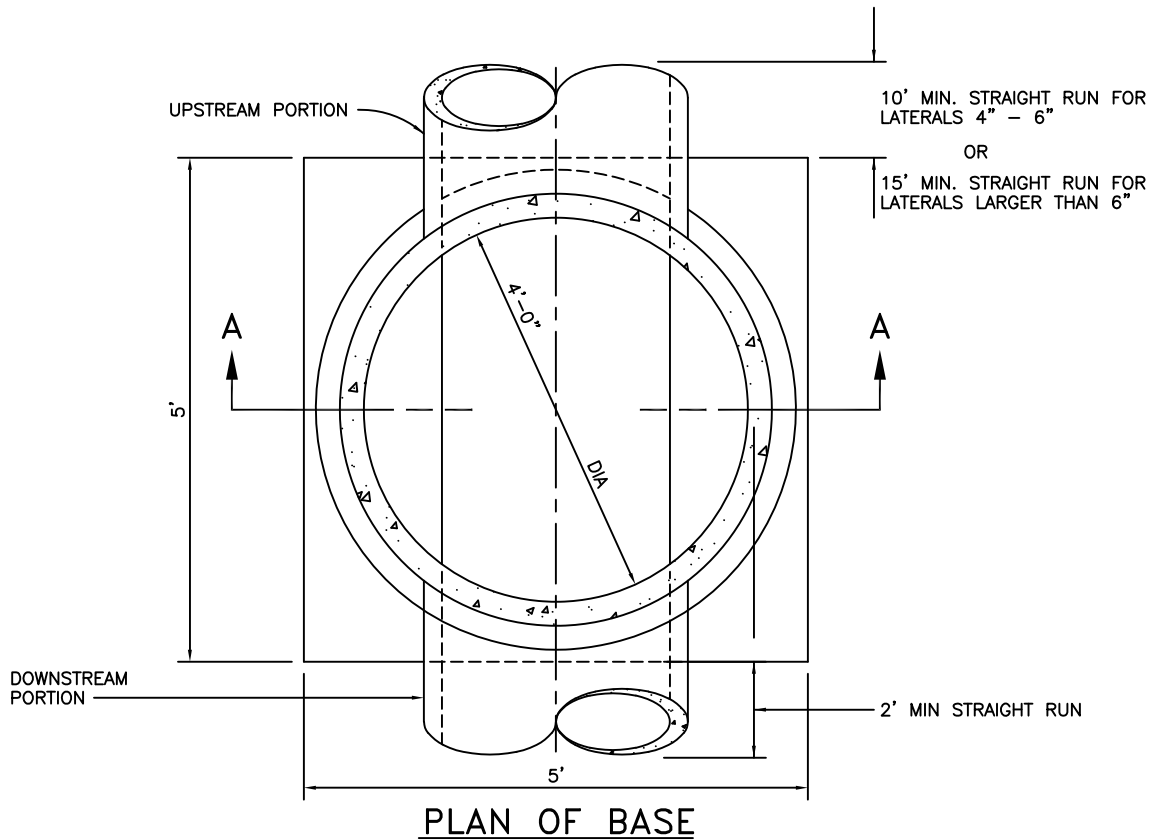
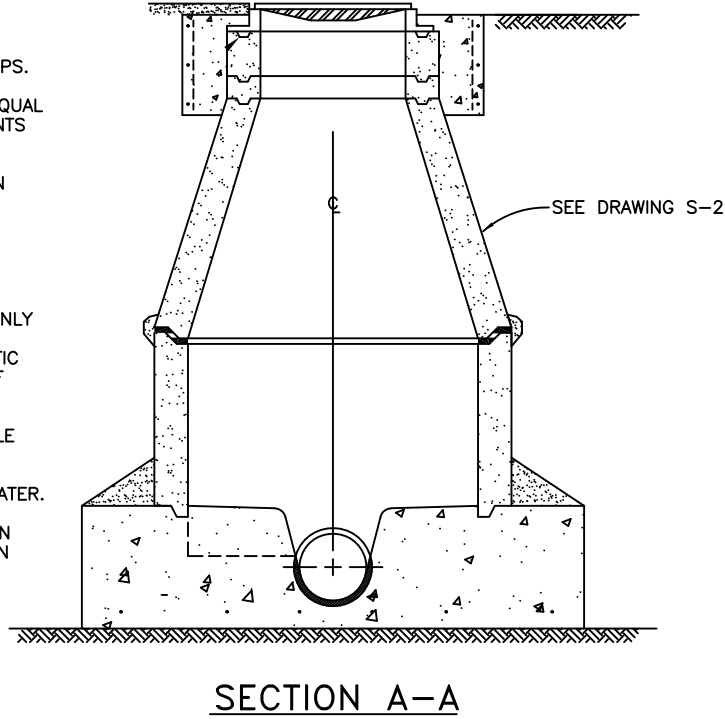


NOTES:

1. MANHOLES SHALL HAVE NO STEPS.
2. USE RAMNECK OR APPROVED EQUAL BETWEEN JOINTS. TRIM ALL JOINTS AFTER COMPLETION.
3. THERE SHALL BE NO ANGLES IN MANHOLE. IT SHALL ONLY BE A STRAIGHT THRU FLOWLINE.
4. MAINTAIN CONSTANT SLOPE UPSTREAM AND THRU MANHOLE.
5. SAMPLING MANHOLE ALLOWED ONLY FOR NONRESIDENTIAL BUILDING SERVICE LATERALS IN NONTRAFFIC AREAS AND UPON APPROVAL OF DISTRICT ENGINEER.
6. LOCATION OF SAMPLING MANHOLE SHALL BE DESIGNATED BY THE DISTRICT PRIOR TO APPROVAL AND ISSUANCE OF THE WASTEWATER. WASTE INSPECTOR FOR LOCATION OF SAMPLING WELL, IF LOCATION IS NOT SHOWN ON APPROVED DRAWINGS.
7. JOINTS SHALL BE WRAPPED WITH 9-INCH RUB'R-NEK EXTERNAL CONCRETE JOINT WRAP, OR APPROVED EQUAL.



Dublin San Ramon Services District	DATE DEC 2019
SAMPLING MANHOLE	DESIGNED BD
SIGNED COPY ON FILE AT DISTRICT OFFICE	DRAWING S-11