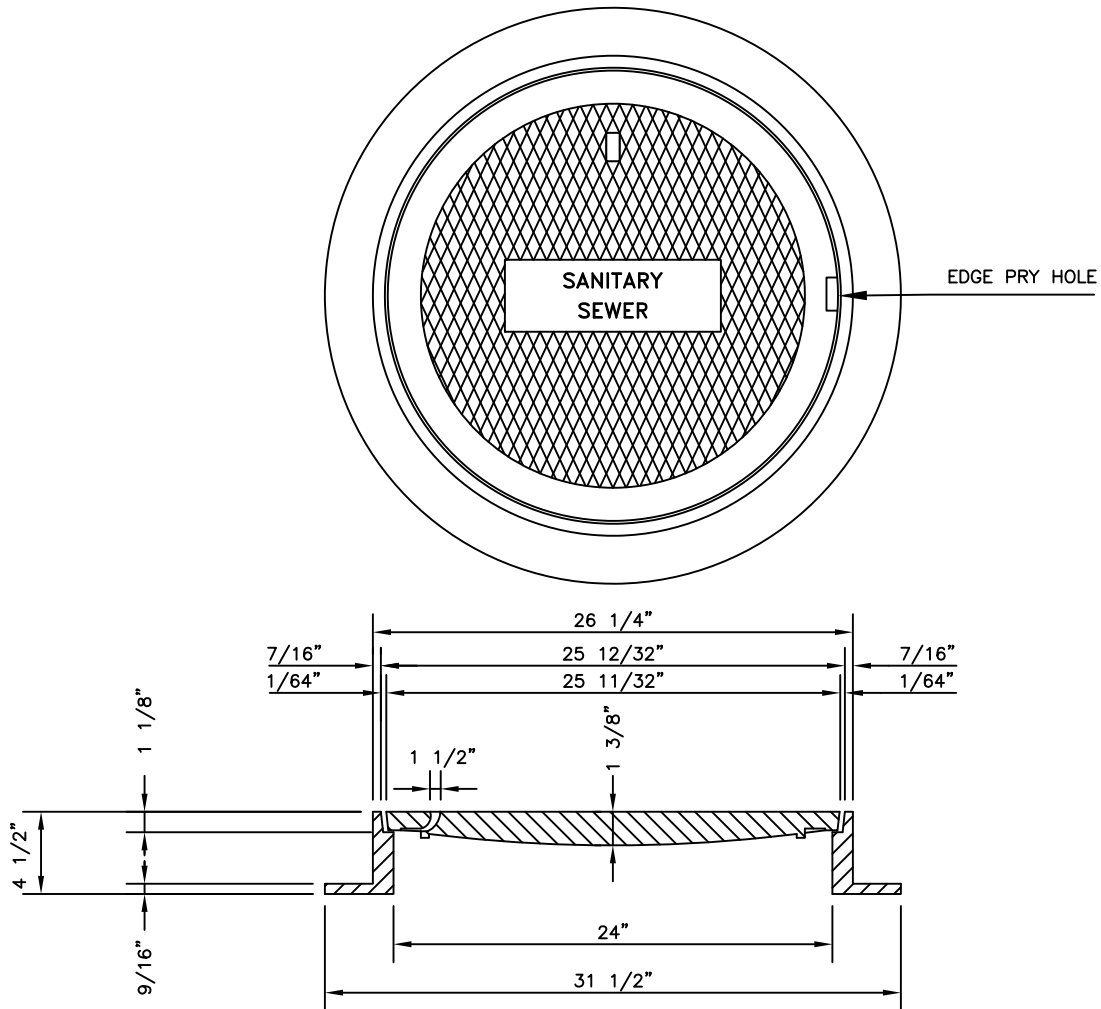


STANDARD 24" HEAVY DUTY NON-ROCKING MANHOLE FRAME AND COVER



NOTES:

1. SPECIFY SANITARY SEWER WHEN ORDERING CASTINGS DIPPED IN ASPHALT PAINT.
2. WHERE THE DISTRICT ENGINEER DEEMS NECESSARY FOR HEIGHTENED PROTECTION OF THE PUBLIC OR ITS FACILITIES, PARMEX MANHOLE FRAME AND COVER, OR APPROVED EQUAL MAY BE REQUIRED.
3. FRAME AND COVER SHALL BE ON APPROVED MATERIALS LIST, OR APPROVED EQUAL.

Dublin San Ramon Services District

REVISION DATE
DEC 2019

STANDARD MANHOLE FRAME AND COVER

REVISED BY
BD

SIGNED COPY ON FILE AT DISTRICT OFFICE

DRAWING
S-5