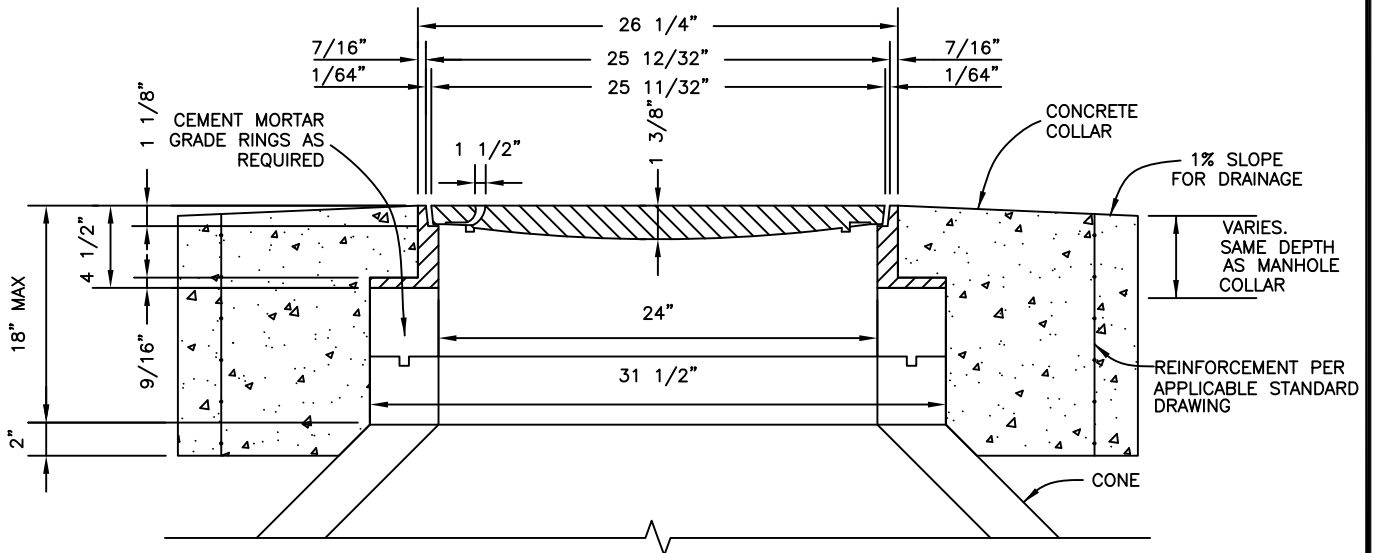
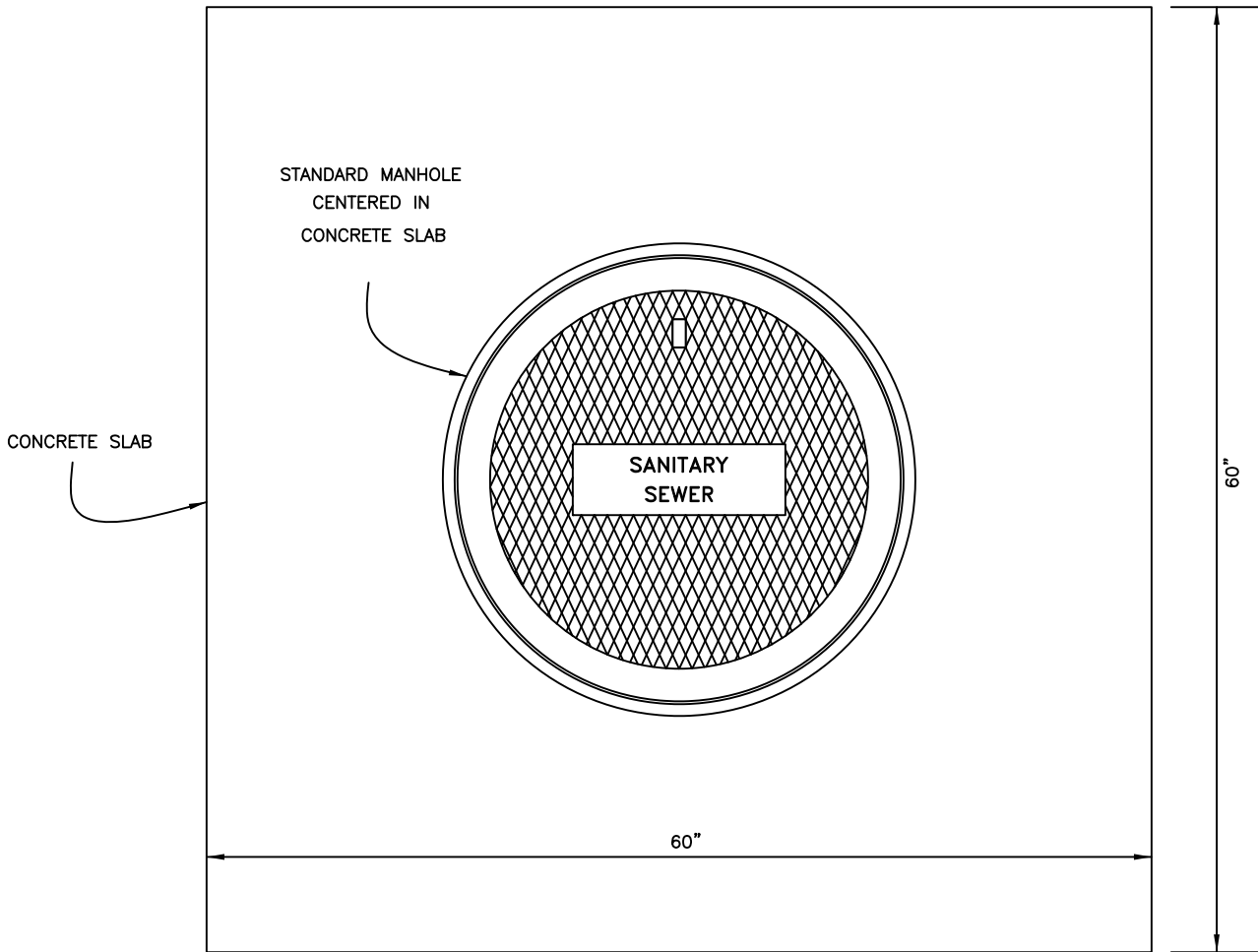


UNPAVED AND LANDSCAPED AREAS



Dublin San Ramon Services District

DATE
DEC 2019

MANHOLE PAD DETAIL

DESIGNED
BD

SIGNED COPY ON FILE AT DISTRICT OFFICE

DRAWING
S-6A