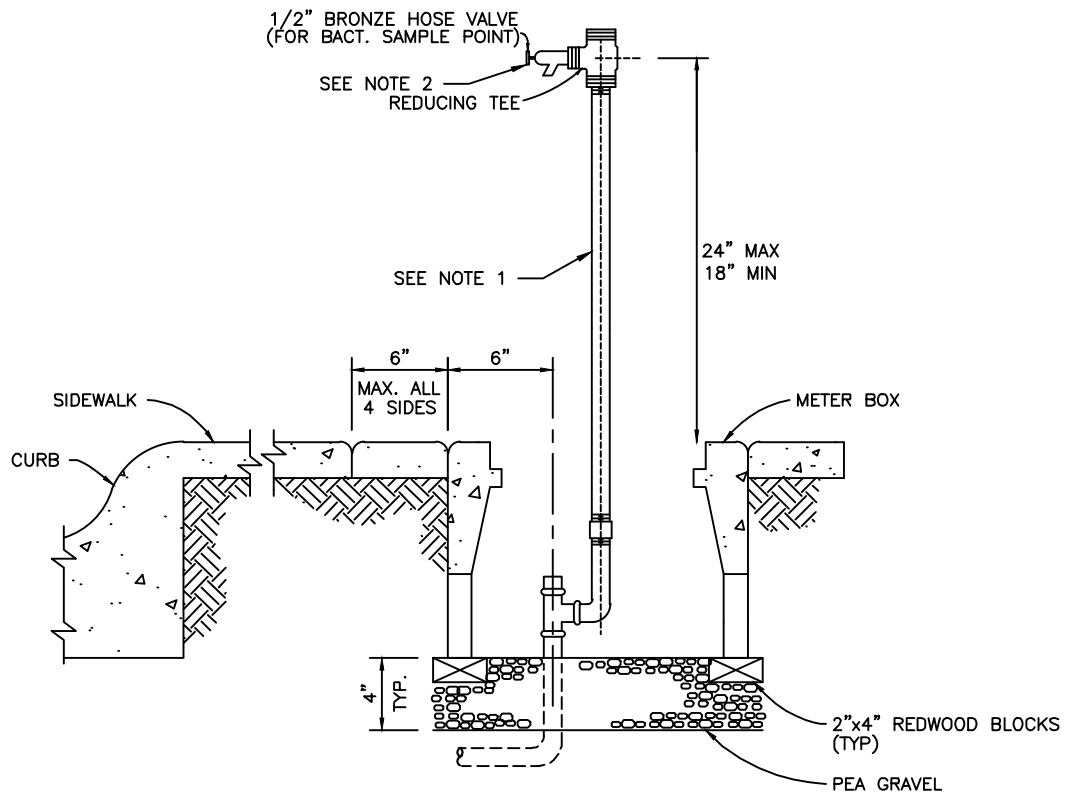
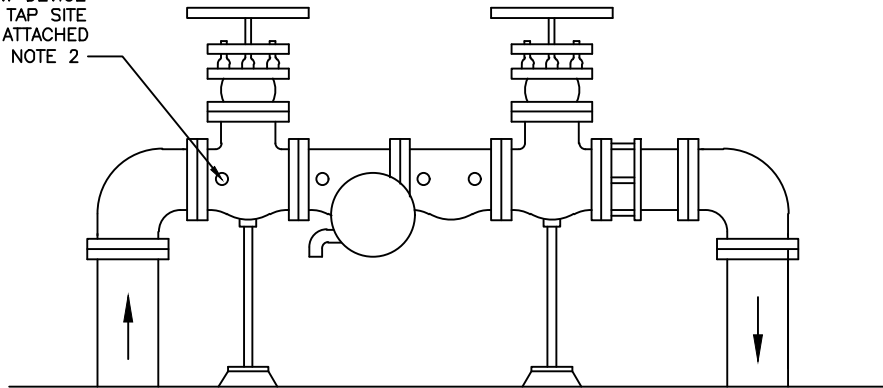


#1 TESTCOCK OF A BACKFLOW DEVICE  
MAY BE USED AS A SAMPLE TAP SITE  
WITH A BRONZE HOSE BIB ATTACHED  
SEE NOTE 2



**NOTES:**

1. PIPING MUST BE RIGID.
2. HOSE BIB SPOUT MUST FACE BELOW HORIZONTAL AND FACE STREET.

Dublin San Ramon Services District

DATE  
DEC 2005

TEMPORARY SAMPLE TAPS FOR  
NEW CONSTRUCTION

DESIGNED  
ATJ

SIGNED COPY ON FILE AT DISTRICT OFFICE

DRAWING  
W-18