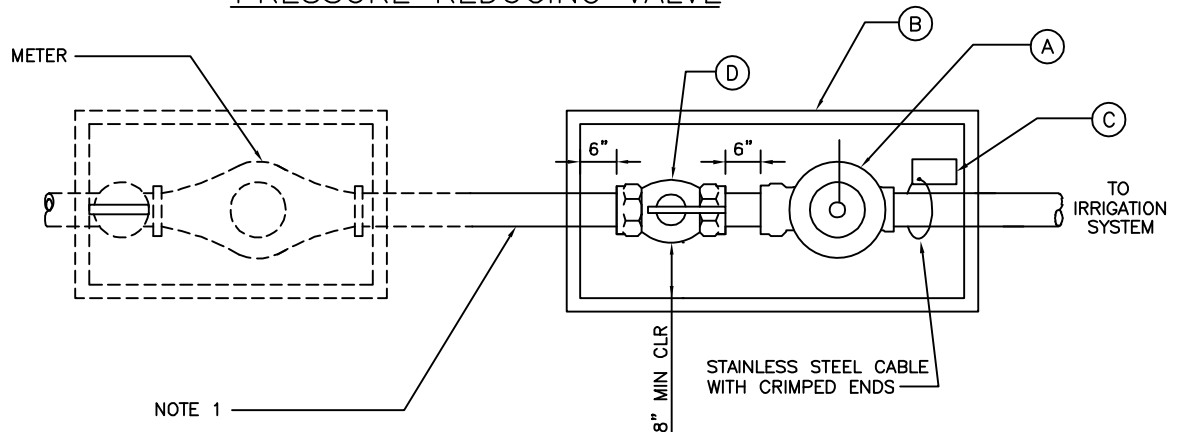


PRESSURE REDUCING VALVE



ITEM	DESCRIPTION
A	PRESSURE REDUCING VALVE
B	METER BOX AND LID (PURPLE COLOR)
C	RECYCLED WATER WARNING TAG
D	BALL VALVE

NOTES:

1. NO LINE CONNECTIONS BETWEEN METER & PRV.
2. RECYCLED WATER I.D. TAG/LABEL.
3. PRV SIZE SHALL BE EQUAL TO METER SIZE.
4. FLOW SENSOR AND MASTER SHUT OFF VALVES SHALL BE INSTALLED IN ACCORDANCE WITH SPEC. SEC IV-A4-5.01

Dublin San Ramon Services District

DATE
JAN 2020

3/4" - 3" PRV INSTALLATION
FOR RECYCLED WATER IRRIGATION SYSTEM

DESIGNED
BD

SIGNED COPY ON FILE AT DISTRICT OFFICE

DRAWING
W-31