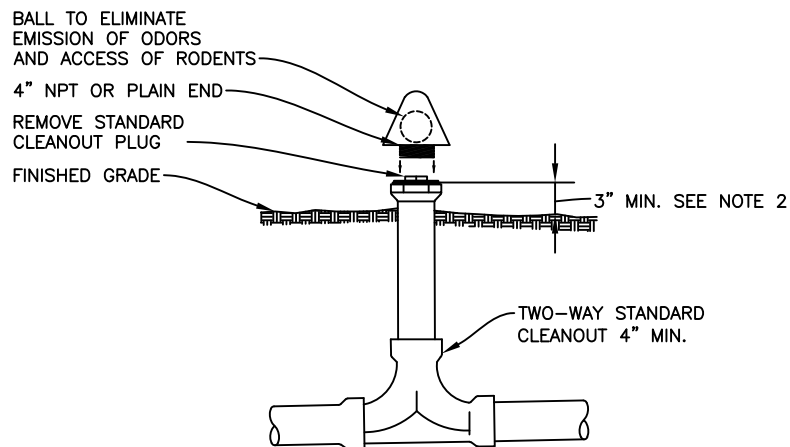


(TYPE 1-TYPICAL INSTALLATION)



FINISHED GRADE SHALL SLOPE AWAY FROM THE BUILDING

(TYPE 2-ALTERNATIVE OPTION)

NOTE:

1. AN OVERFLOW RELIEF VALVE PER DSRSD APPROVED MATERIALS LIST IS REQUIRED ON ALL NEW SIDE SEWER CONNECTIONS, REPAIRS AND ALTERATIONS TO EXISTING SIDE SEWERS.
2. SPECIFIC LOCATION SHALL BE DETERMINED BY THE CONTRACTOR AND THE PROPERTY OWNER SUCH THAT THE TOP ELEVATION OF THE OVERFLOW DEVICE IS A MINIMUM OF SIX INCHES BELOW THE LOWEST FINISHED FLOOR ELEVATION OF THE CONNECTED BUILDING.
3. IN TRAFFIC AREAS USE 12"x12" TRAFFIC-RATED CONCRETE DRAIN BOX WITH G-5 CAST IRON, ADA-COMPLIANT GRATE. IN NON-TRAFFIC AREAS USE 8" ROUND CONCRETE BOX WITH CAST-IRON, ADA-COMPLIANT GRATED LID (F-8 BOX). BOX AND GRATE SHALL BE AS LISTED IN THE DSRSD APPROVED MATERIALS LIST OR APPROVED EQUAL.

Dublin San Ramon Services District	DATE FEB 2021
TYPICAL OVERFLOW RELIEF VALVE INSTALLATION	DESIGNED RM
SIGNED COPY ON FILE AT DISTRICT OFFICE	DRAWING S-8A