

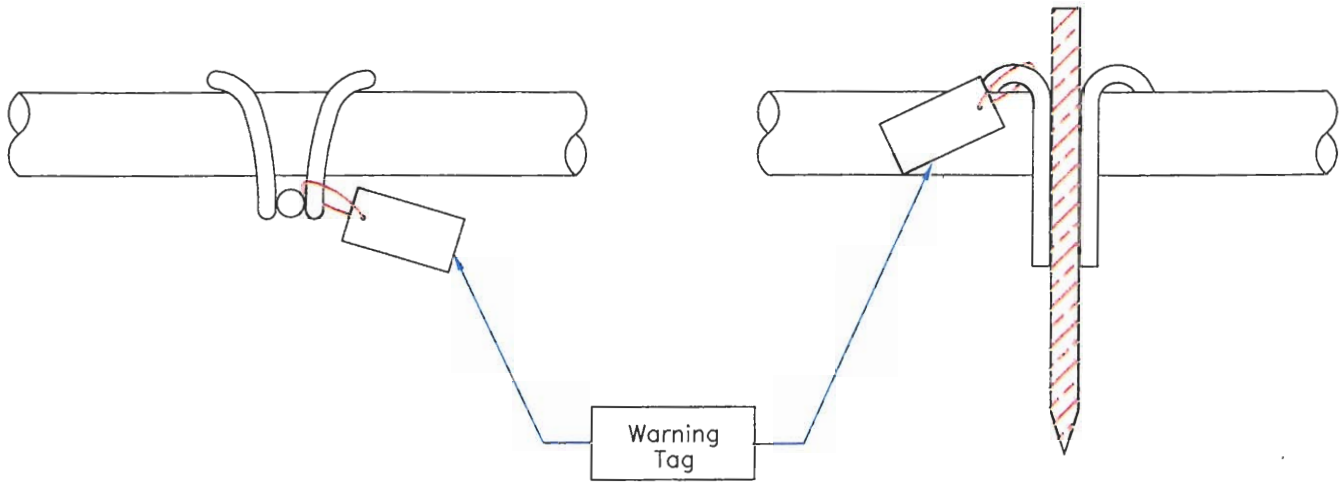
DUBLIN SAN RAMON SERVICES DISTRICT  
RECYCLED WATER USE GUIDELINES



SAMPLE RECYCLED WATER WARNING TAG

Figure A

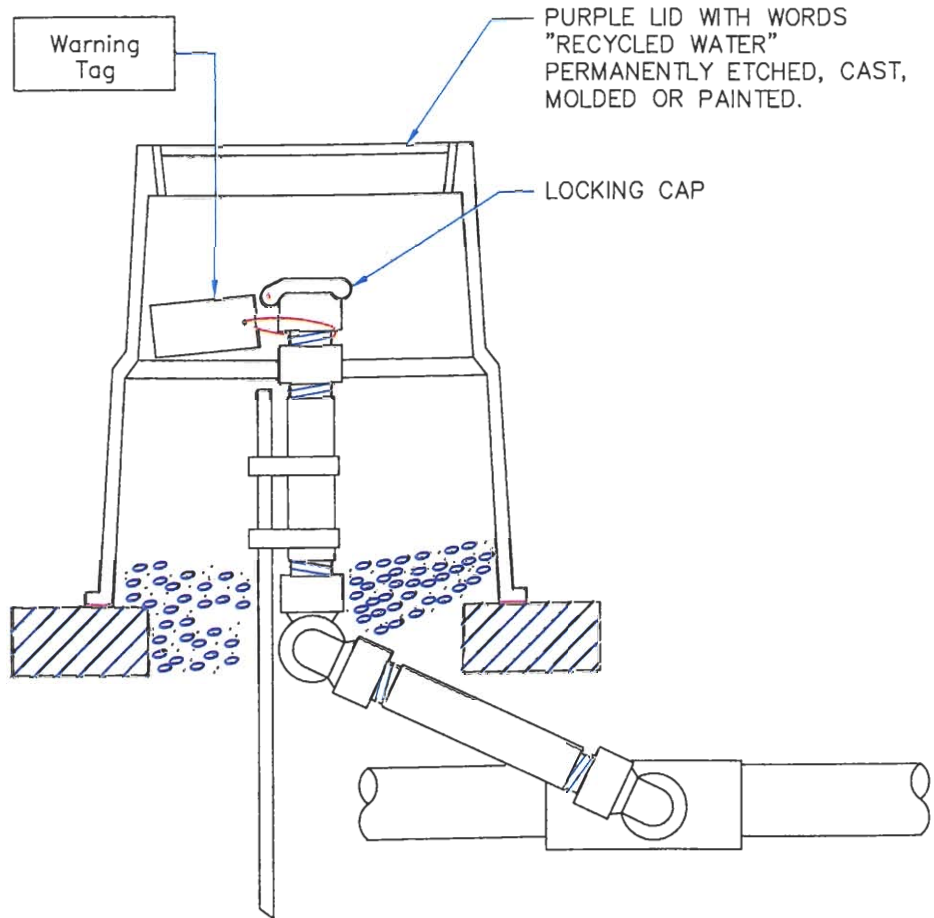
# DUBLIN SAN RAMON SERVICES DISTRICT RECYCLED WATER USE GUIDELINES



INSTALLATION OF WARNING TAG AT PIPE STABILIZER

Figure B

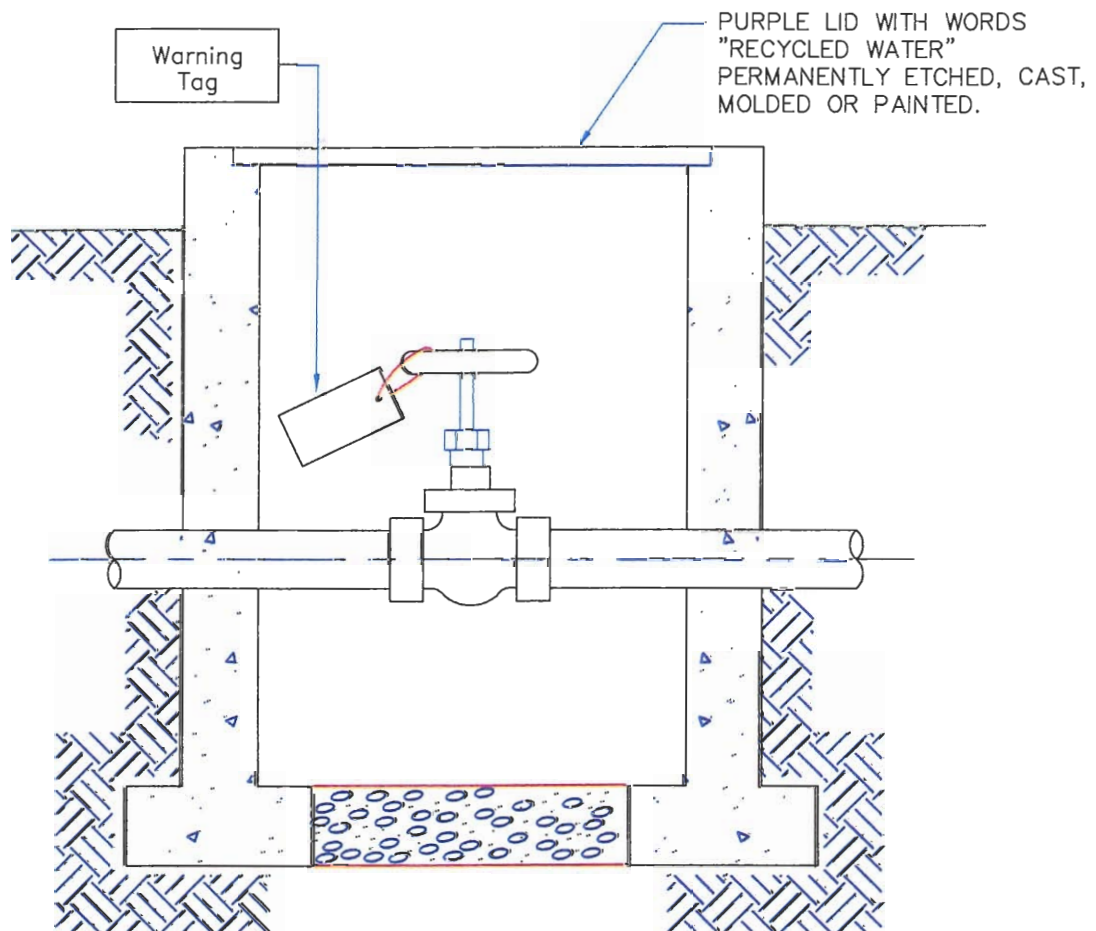
# DUBLIN SAN RAMON SERVICES DISTRICT RECYCLED WATER USE GUIDELINES



QUICK COUPLER VALVE AND WARNING LABELS

Figure C

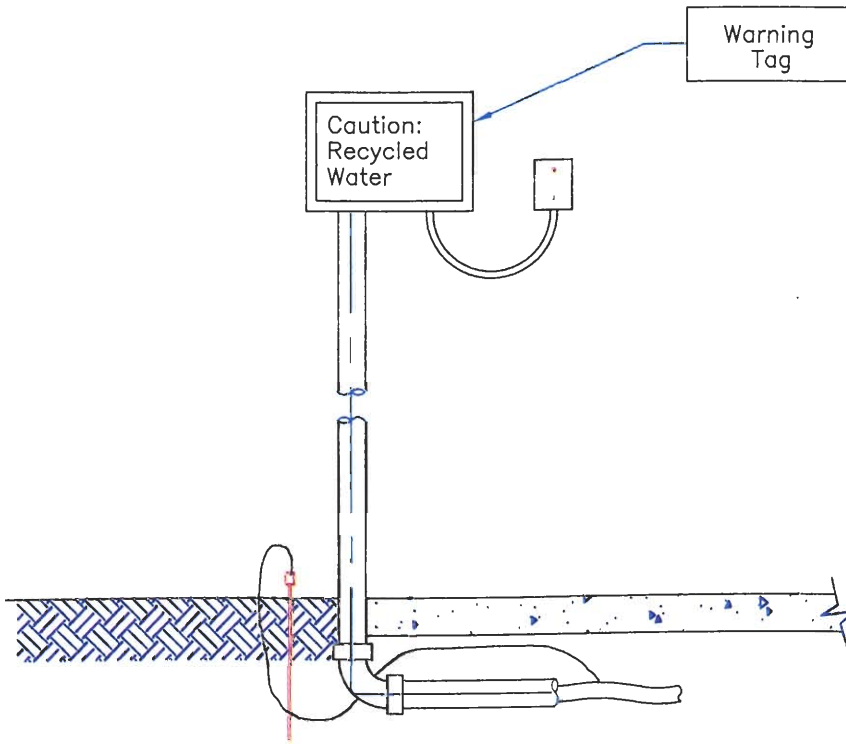
# DUBLIN SAN RAMON SERVICES DISTRICT RECYCLED WATER USE GUIDELINES



INSTALLATION OF WARNING LABELS AT GATE VALVE

Figure D

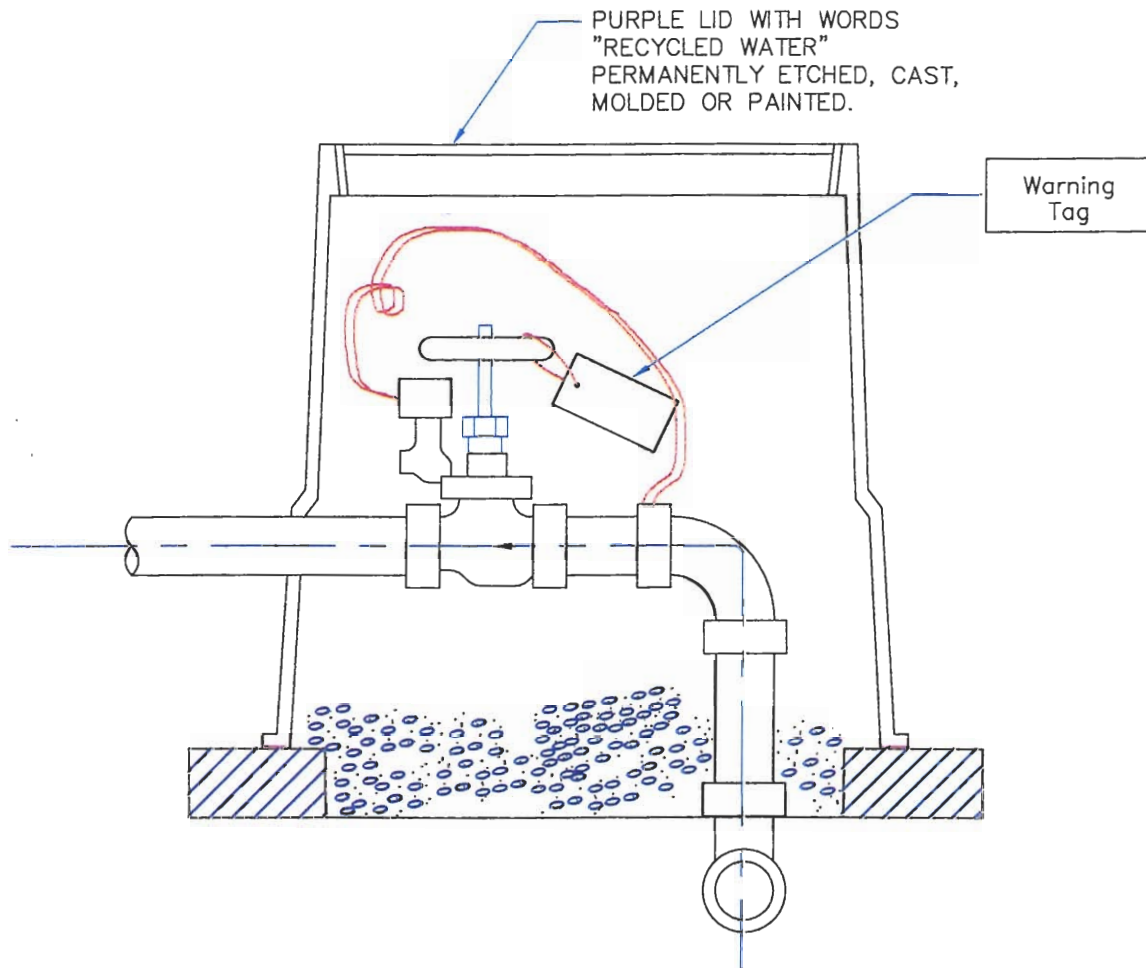
DUBLIN SAN RAMON SERVICES DISTRICT  
RECYCLED WATER USE GUIDELINES



INSTALLATION OF WARNING LABEL AT SYSTEM CONTROLLER

Figure E

# DUBLIN SAN RAMON SERVICES DISTRICT RECYCLED WATER USE GUIDELINES



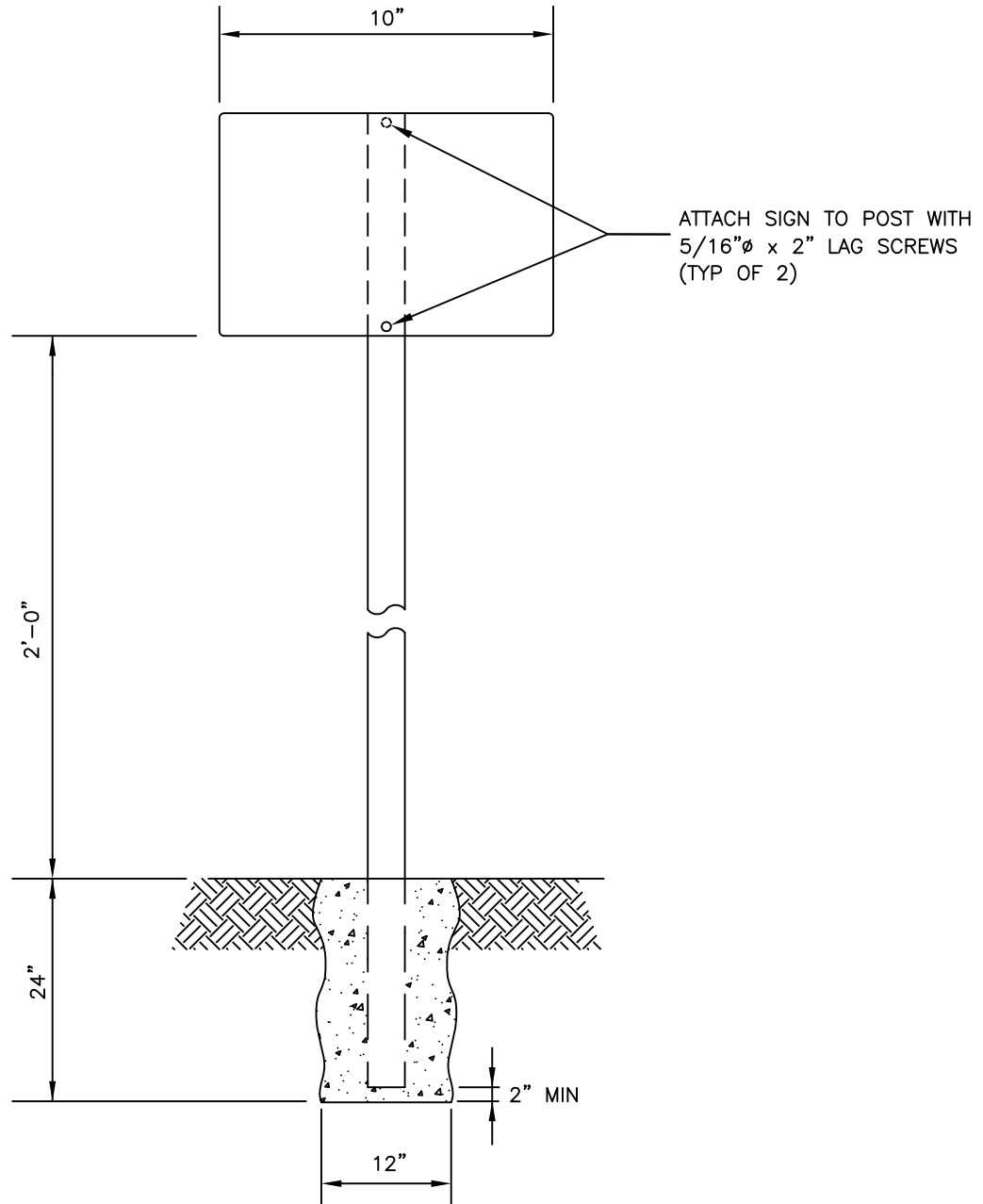
INSTALLATION OF WARNING LABELS AT AUTOMATIC CONTROL VALVE

Figure F

DUBLIN SAN RAMON SERVICES DISTRICT  
RECYCLED WATER USE GUIDELINES



UNIVERSAL "DO NOT DRINK" SYMBOL



NOTES:

1. RECYCLED WATER NOTIFICATION SIGN POST TO BE PROVIDED BY DEVELOPER.
2. 4" X 4" POST AND STIFFENERS SHALL BE REDWOOD OR TREATED DOUGLAS FIR (STATE OF CALIF. SPEC NO. 56-2.02B).
3. FOOTING SHALL BE 24' IN DEPTH, IN CONCRETE.

Dublin San Ramon Services District

REVISION DATE  
OCT 2012

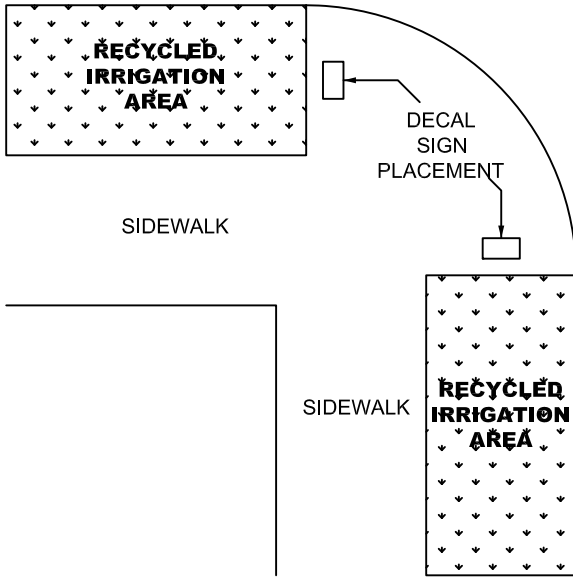
RECYCLED WATER SIGN POST DETAIL

REVISED BY  
JW/BCD

SIGNED COPY ON FILE AT DISTRICT OFFICE

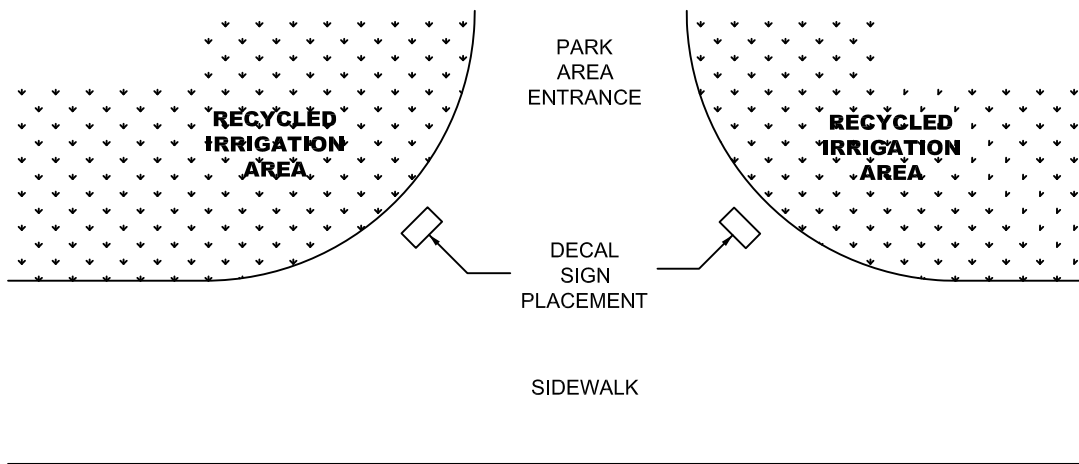
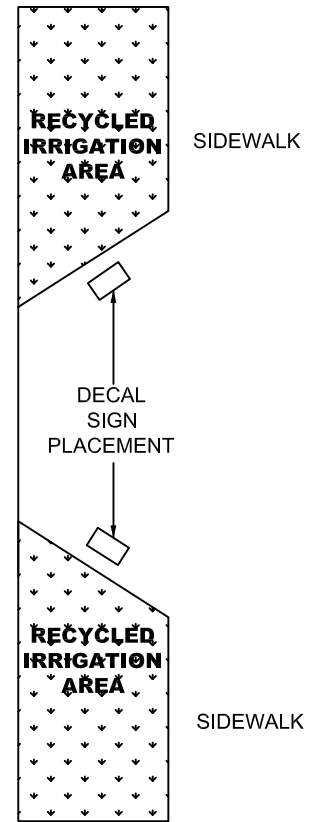
DRAWING  
W-28





**Fig. 1 Corner Pedestrian Crossing**

**Fig. 2 MID-STREET PEDESTRIAN CROSSING**

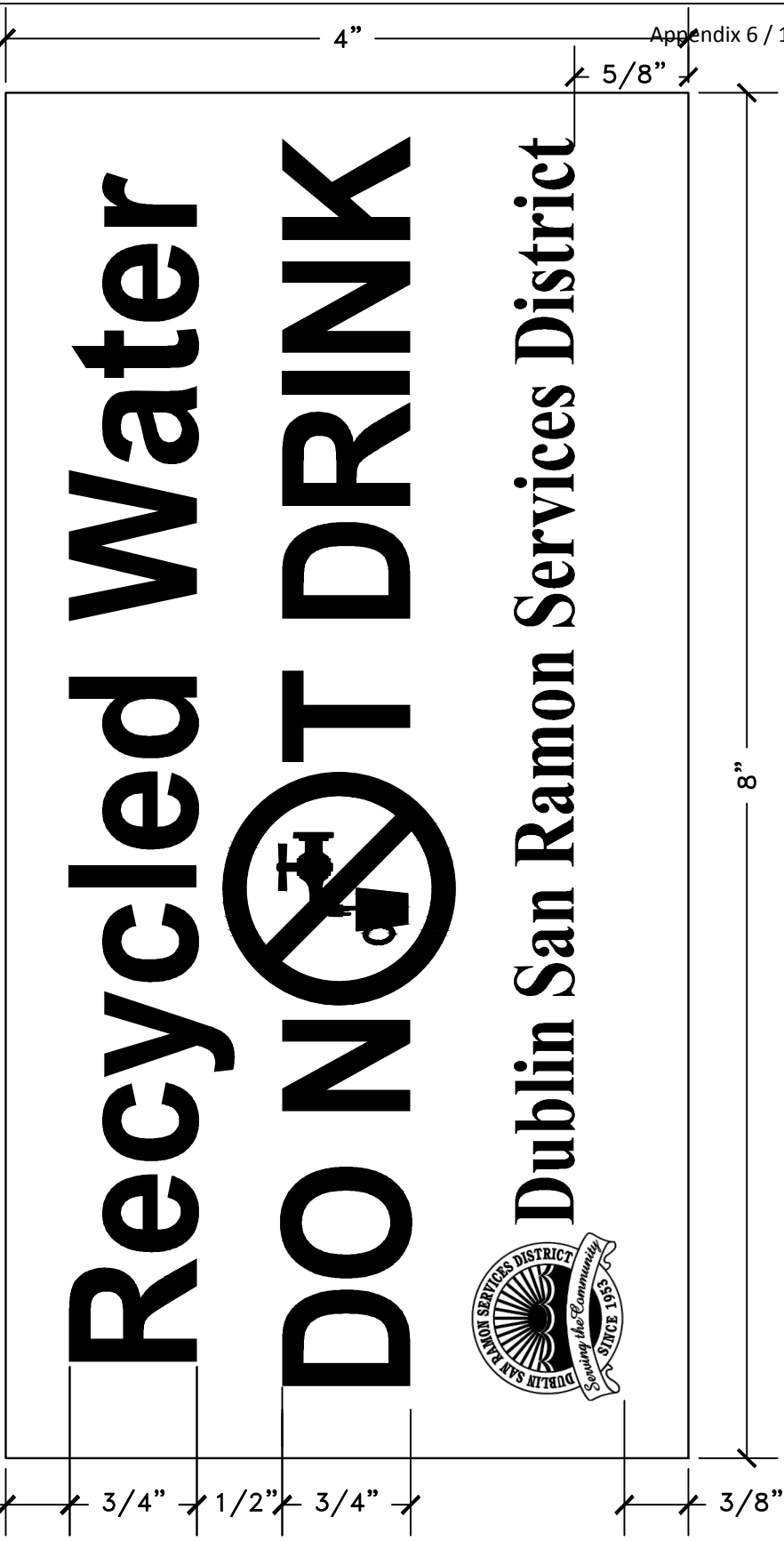


**Fig. 3 PARK AREA ENTRANCE PLACEMENT**

Dublin San Ramon Services District	DATE MAY 2005
STANDARD DETAILS FOR PLACEMENT OF RECYCLED WATER IRRIGATION DECAL SIGNS	DESIGNED ATJ
SIGNED COPY ON FILE AT DISTRICT OFFICE	DRAWING W-28A

**NOTES**

1. RECYCLED WATER NOTIFICATION DECAL TO BE OBTAINED BY DEVELOPER.
  2. WARNING SIGN DECALS SHALL BE UV FADE RESISTANT *das* CURB MARKER (www.dasmanufacturing.com) OR APPROVED EQUAL DURACAST STYLE MARKERS PURPLE (PMS #2587) IN COLOR WITH WHITE TEXT. SIGN DECALS SHALL BE ALL-WEATHER, SLIP RESISTANT, AND PERMANENTLY AFFIXED TO THE GROUND.
  3. SEE W-28A FOR PLACEMENT.
  4. SIGN SHALL STATE "RECYCLED WATER DO NOT DRINK" ACCORDING TO TITLE 22, ARTICLE 4, SECTION 60310(G) OF THE STATEWIDE REGULATION.
- INSTALLATION:
5. SURFACE MUST BE DRY AND FREE OF ANY LOOSE DEBRIS. FOLLOW THE ADHESIVE GUIDE. A BEAD OF ADHESIVE SHOULD BE SHOWN AROUND THE ENTIRE EDGE.
  6. ADHESIVE SHALL BE *das* CURB MARKER ADHESIVE OR APPROVED EQUAL.



Dublin San Ramon Services District

DATE  
JAN 2011

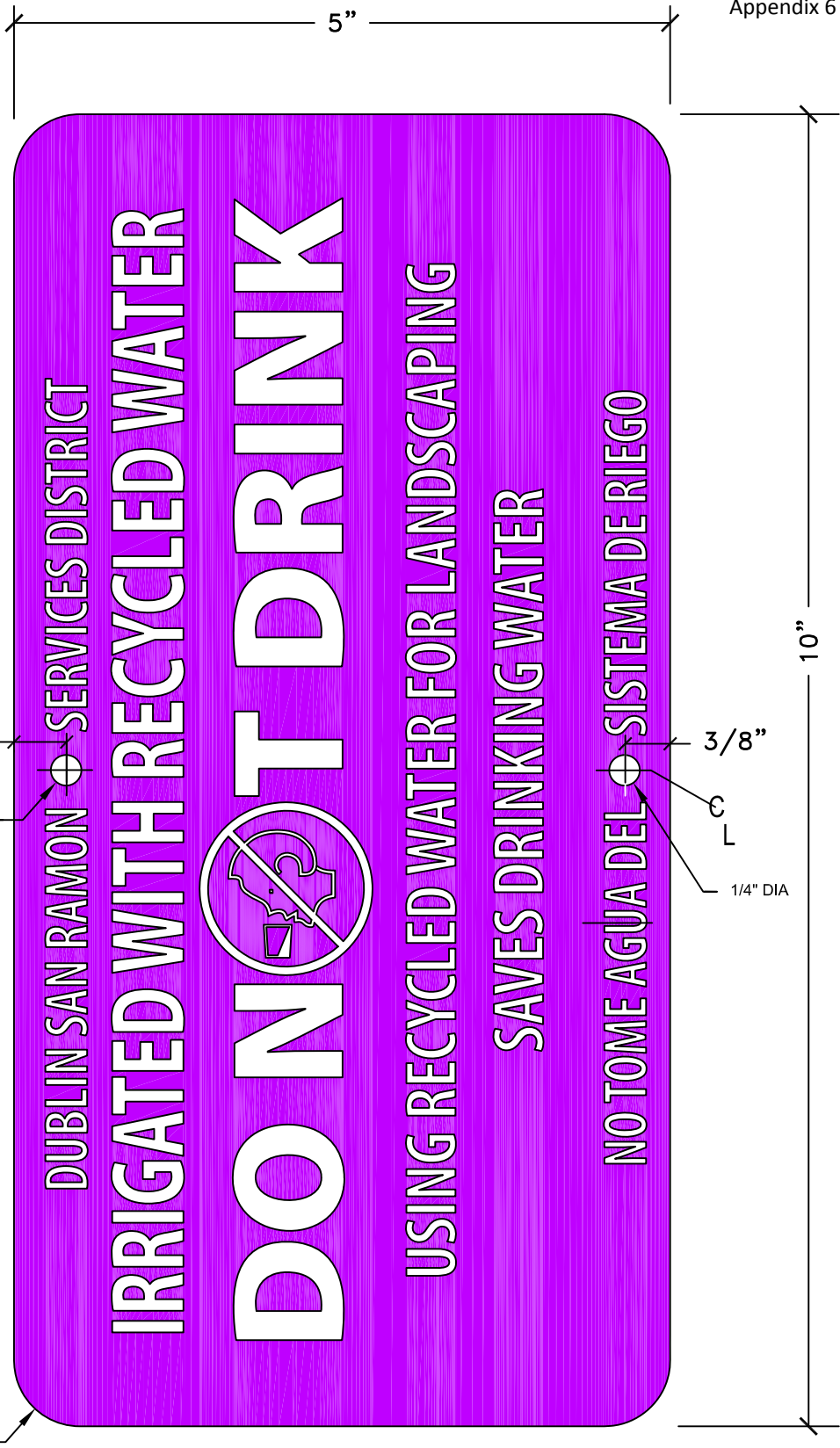
RECYCLED WATER DECAL DETAIL

DESIGNED  
JW/BCD

APPROVED

DISTRICT ENGINEER: DAVID A. REQUA, RCE 24013

DRAWING  
W-28B



**NOTES**

1. RECYCLED WATER NOTIFICATION SIGN TO BE OBTAINED BY DEVELOPER. SIGN AVAILABLE FOR SALE AT DSRSD OFFICE.
2. WARNING SIGN SHALL BE 0.63 GAUGE ALUMINUM PURPLE (PMS #2587) IN COLOR WITH WHITE TEXT AND SHALL BE AFFIXED TO THE GROUND BY A WOODEN POST
3. SEE W-28 FOR RECYCLED WATER SIGN POST DETAIL.
4. SIGN SHALL STATE "RECYCLED WATER DO NOT DRINK" ACCORDING TO TITLE 22, ARTICLE 4, SECTION 60310(G) OF THE STATEWIDE REGULATION.
5. 1/4" MOUNTING HOLES SHALL BE DRILLED ON CENTER LINE AS SHOWN.
6. EDGES SHALL BE ROUNDED WITH 1/2" RADIUS.

3/8" 1/4" DIA 1/2" RADIUS 3/8" 1/4" DIA

Dublin San Ramon Services District	DATE OCT 2012
RECYCLED WATER ALUMINUM SIGN DETAIL	DESIGNED BCD/SO
SIGNED COPY ON FILE AT DISTRICT OFFICE	DRAWING W-28C