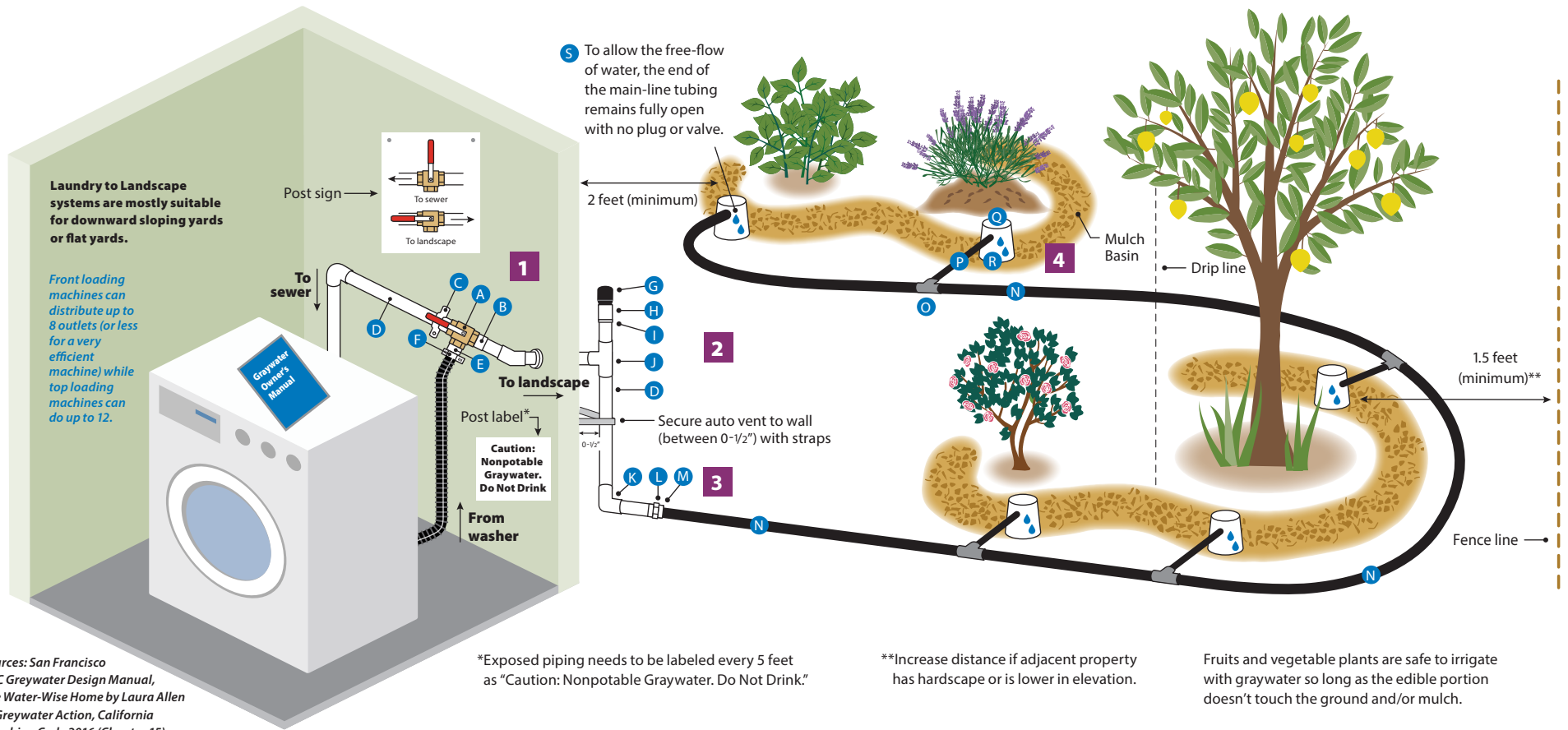


# Laundry to Landscape: Graywater System Example



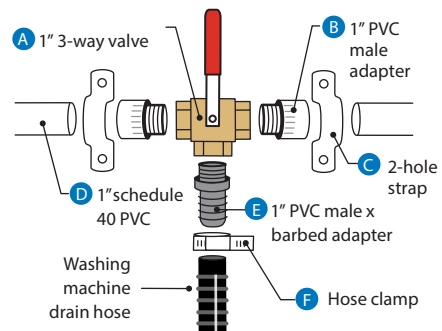
Sources: San Francisco PUC Greywater Design Manual, The Water-Wise Home by Laura Allen of Greywater Action, California Plumbing Code 2016 (Chapter 15)

\*Exposed piping needs to be labeled every 5 feet as "Caution: Nonpotable Graywater. Do Not Drink"

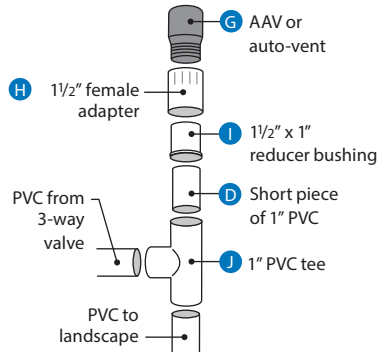
\*\*Increase distance if adjacent property has hardscape or is lower in elevation.

Fruits and vegetable plants are safe to irrigate with graywater so long as the edible portion doesn't touch the ground and/or mulch.

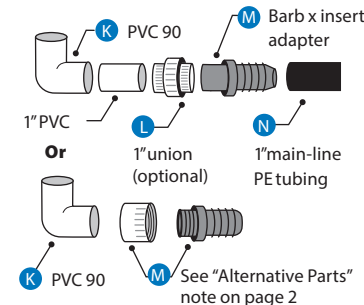
## 1 Diverter (3-way) Valve



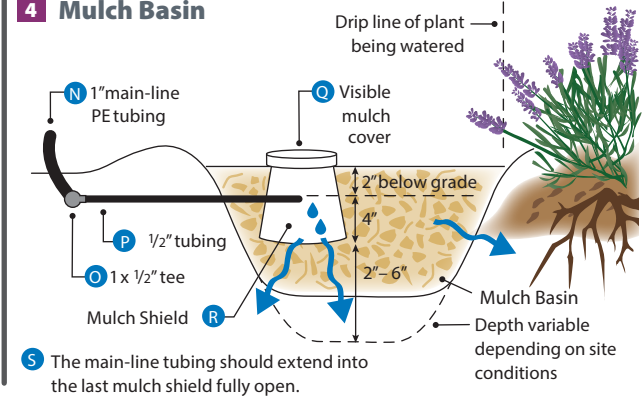
## 2 Auto Vent



## 3 Transition to the Landscape Side of the System



## 4 Mulch Basin



This diagram is not drawn to scale and is provided for reference purposes only. It is your responsibility to properly design, install, maintain, and use your laundry to landscape graywater system (graywater system). If you are unsure of the intricacies of your plumbing system or how to properly design or install a graywater system, please consult with a professional. DSRSD does not accept any liability and responsibility for any direct, special, indirect or consequential loss or damage whatsoever arising out of or in connection with providing you with access to this diagram. This diagram is courtesy of Valley Water.

# Laundry to Landscape: Graywater System Example Parts List

To jump-start planning your graywater laundry to landscape project, this handout provides an example parts list and system diagram. To protect your property, neighbors, and the environment, you'll need to seek out additional information for proper system design. As each system varies based on the home and landscape, the final system you install may require fewer or more or slightly different components than depicted. This handout is provided for illustrative purposes only. For additional resources, please go to [www.drsrd.com/your-account/water-conservation/graywater-systems](http://www.drsrd.com/your-account/water-conservation/graywater-systems).

## 1 Diverter (3-Way) Valve

1" Brass 3-Way Valve (Diverter Valve)  
Avg. Qty: 1



A

Install in an accessible, visible location

1" PVC Male Adapter (Slip x Male Pipe Thread)  
Avg. Qty: 2



B

1- OR 2- Hole Straps  
Avg. Qty: 2 or as needed



C

1" PVC Schedule 40  
Avg. Qty: approx. 10-30'



D

1" Barbed x 1" Male Pipe Thread  
Avg. Qty: 1



E

Note: To connect to the diverter valve, smaller washer drain hoses may need a 3/4" Barbed x 3/4" Male Pipe Thread with a 1" x 3/4" PVC Threaded Bushing

1/2" x 1 1/4" Hose Clamp Stainless Steel  
Avg. Qty: 1



F

## 2 Auto Vent

Auto Vent (In-Line Vent or AAV)  
Avg. Qty: 1



G

1 1/2" PVC Adapter (Slip x Female Pipe Thread)  
Avg. Qty: 1



H

1 1/2" x 1" PVC Bushing  
Avg. Qty: 1



I

1" PVC Tee  
Avg. Qty: 1



J



EXAMPLE OF AUTO VENT ASSEMBLY

Install at least 6 inches above top of clothes washer in an accessible, visible location

## 3 Transition to the Landscape Side of the System

1" PVC 90 or 45  
Avg. Qty: approx. 1-4



K

Vacuum Breaker  
Avg. Qty: 1



1" PVC Union  
Avg. Qty: 1 (optional)



L

1" Barb x Insert Adapter  
Avg. Qty: 1



M

1" Female Adapter Slip-Thread Coupling and 1" Barbed x 1" Male Pipe Thread  
Avg. Qty: 1 each



Note: Alternative parts instead of 1" Barb x Insert Adapter

1" main-line PE Tubing  
Avg. Qty: approx. 5-100'



N

## 4 Mulch Basin: Graywater Outlets

1" x 1/2" Barbed Reducing Tee  
Avg. Qty: 0-11



O

1/2" PE Tubing  
Avg. Qty: approx. 0-20'



P

Note: Inner Diameter: 0.6" x Outer Diameter: 0.7

1/2" Barbed Full-Port Ball Valve  
Avg. Qty: 0-4



Visible Mulch Cover  
Avg. Qty: 1-12



Q

Mulch Shield (7" irrigation valve box)  
Avg. Qty: 1-12



R

Wood Chip or Bark Mulch (1/2"-3/4" chips)  
Avg. Qty: project dependent



Note: Mulch can vary in appearance by color, texture, and source material

## Additional Parts and Suggested Tools

1" PVC Coupling  
Avg. Qty: As needed



1" Barbed Tee or Coupling  
Avg. Qty: As needed



Garden Staples  
Avg. Qty: As needed



Caulking  
Avg. Qty: 1



PVC Industrial Grade Glue  
Avg. Qty: 1/2 pint



Pipe Thread or Teflon Tape  
Avg. Qty: 1 roll



PVC Cutter  
Avg. Qty: 1



Channel Locks  
Avg. Qty: 1

